



Heavy 7 Speed PS110-7A/7B
& PS145-7A

Parts Catalog

Bulletin No. T210-PS145-7

June 1993



CONTENTS

RATIO TABLE..... FC
 GEARS and RELATED PARTS..... 1-5
 DRIVE GEAR GROUP..... 1
 DRIVE GEAR TABLE..... 1
 MAINSHAFT GROUP..... 2-3
 COUNTERSHAFT GROUP..... 4-5
 REVERSE IDLER GROUP..... 4-5

 CASE and RELATED PARTS..... 6-9
 CLUTCH HOUSING GROUP..... 6-7
 DRIVE GEAR BEARING CAP GROUP..... 6-7
 CASE GROUP..... 6-7
 MAINSHAFT REAR BEARING CAP GROUP..... 8-9
 COUNTERSHAFT REAR BEARING CAP..... 8-9

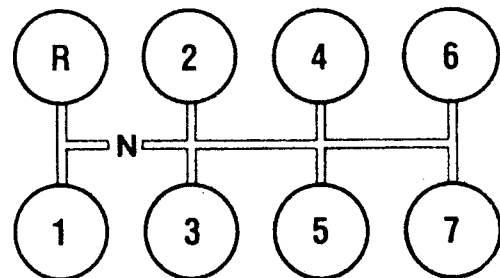
 SHIFTER HOUSING ASSY. - FORWARD CONTROL..... 10-11
 SHIFTER HOUSING ASSY. - CENTER CONTROL..... 12-13

 REMOTE CONTROL ASSEMBLY..... 14-15
 CLUTCH HOUSING DIMENSIONS..... 16
 SHIFT LEVER and DOME ASSEMBLY..... 17
 CLUTCH RELEASE CODE TABLE..... 18-19
 COMPANION FLANGES and END YOKES..... 20
 SEVERICE PARTS OVERHAUL KITS - MAJOR and MINOR..... 22-23
 TABULATED BILLS OF MATERIAL..... 24-27
 SUPERSESSION LIST OF BILLS OF MATERIAL..... 28-31

RATIO TABLE

| SPEEDS | MODELS | | |
|--------|----------|----------|----------|
| | PS110-7A | PS145-7A | PS110-7B |
| 1st | 10.13 | 10.13 | 12.266 |
| 2nd | 5.99 | 5.99 | 7.000 |
| 3rd | 3.56 | 3.56 | 4.133 |
| 4th | 2.57 | 2.57 | 2.541 |
| 5th | 1.84 | 1.84 | 1.840 |
| 6th | 1.33 | 1.33 | 1.335 |
| 7th | 1.00 | 1.00 | 1.000 |
| Rev. | 10.13 | 10.13 | 12.266 |

SHIFT PATTERN



IDENTIFICATION

The Name Plate (NP-96) affixed to the RIGHT side of the Transmission is stamped with information:

In requesting more information on these transmissions, please furnish this information.

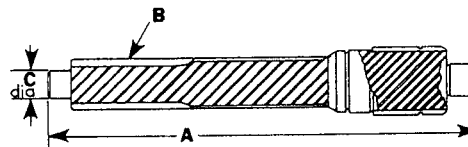
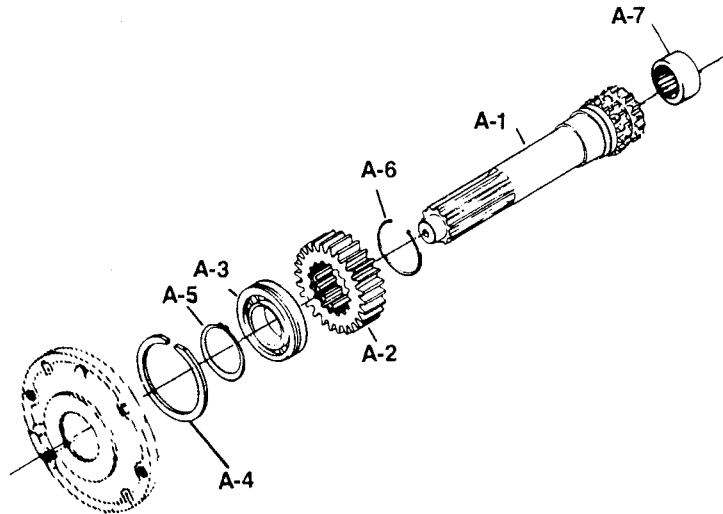
SERIAL

B/M No. MODEL

Abbreviations used in this parts list include:

- N.S. — Not Shown
- N.S.S. — Not Sold Separately
- N.R. — Not Required
- A.R. — As Required

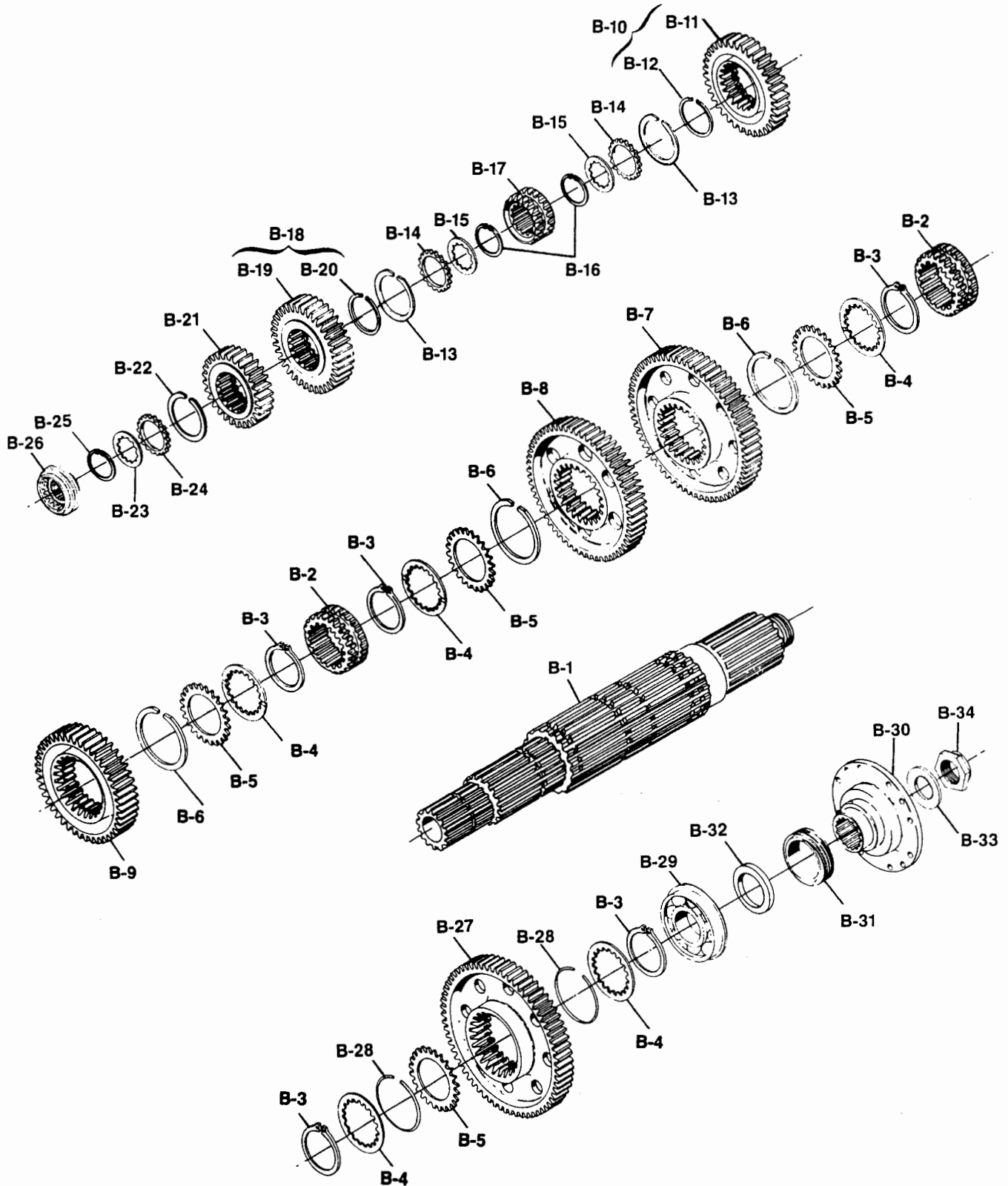
| Ref. No. | Part No. | Part Description | Qty |
|----------|----------------|---|-----|
| A-1 | 97-35-102-1X * | Input Shaft - 2.000"-10 #306 pilot | 1 |
| | 97-35-105-1X * | Input Shaft - 1.750"-10 #306 pilot | 1 |
| | 97-35-106-1X * | Input Shaft - 1.750"-10 #205 pilot | 1 |
| A-2 | 97-36-1-1X * | Gear - Mainshaft Drive (24T) (For PS110/145-7A) | 1 |
| | 97-36-3-1X * | Gear - Mainshaft Drive (24T) (For PS110-7B) | 1 |
| A-3 | 550992 | Bearing - Drive Gear/Input Front | 1 |
| A-4 | 97-381-41 | Snap Ring - Input Shaft Bearing Cap Retaining | 1 |
| A-5 | 97-381-42 | Snap Ring - Input Shaft Front Bearing Retaining | 1 |
| A-6 | 97-381-44 | Snap Ring - Input Shaft Drive Gear | 1 |
| A-7 | 550953 | Bearing - Drive Gear/Input Shaft Pocket Roller | 1 |



DRIVE GEAR TABLE

| A LENGTH | B SPLINE DIA. TEETH | C PILOT SIZE | SAE NO. | INPUT SHAFT PART NO. | SERVICE WITH |
|-------------|------------------------|-----------------|------------|-------------------------|-----------------|
| 15.020" | 2.000"-10 | 1.180" | 306 | 97-35-102 | 97-35-102-1X* |
| 15.020" | 1.750"-10 | 1.180" | 306 | 97-35-105 | 97-35-105-1X* |
| 15.020" | 1.750"-10 | .983" | 205 | 97-35-106 | 97-35-106-1X* |

* Includes (1) each Snaps Rings 97-381-44 and 97-381-42

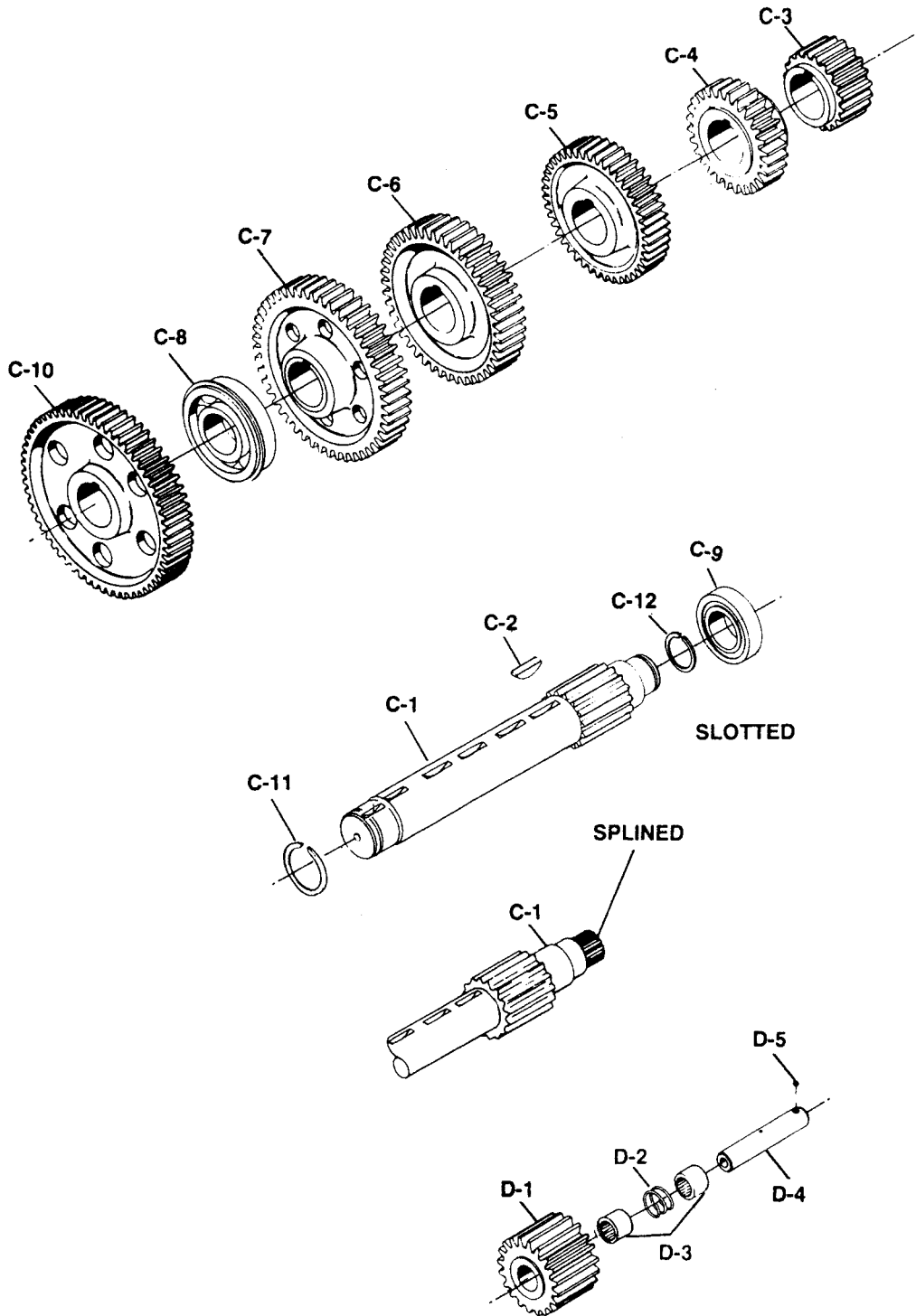




Models PS110-7A/7B & PS145-7A GEARS and RELATED PARTS

T210-PS145-7

| Ref. No. | Part No. | Part Description | Qty |
|----------|---------------|---|-----|
| | | Mainshaft Group | |
| B-1 | 97-362-67 | Mainshaft | 1 |
| B-2 | 97-465-59 | Clutch Collar - 1st, Reverse, 2nd and 3rd Mainshaft (48T) | 2 |
| B-3 | 98-381-1 | Snap Ring - External - Large | 5 |
| B-4 | 330959 | Thrust Washer - Internal - Large (48T) | 5 |
| B-5 | 330810 | Thrust Washer - External - Large (24T) | 4 |
| B-6 | 98-381-2 | Snap Ring - Internal - Large | 3 |
| B-7 | 97-8-113 | Gear - 1st (64T) | 1 |
| B-8 | 97-8-134 | Gear - 2nd (58T) (For PS110-7A, PS145-7A) | 1 |
| | 97-8-209 | Gear - 2nd (56T) (For PS110-7B) | 1 |
| B-9 | 97-8-136 | Gear - 3rd (48T) (For PS110-7A, PS145-7A) | 1 |
| | 97-8-211 | Gear - 3rd (46T) (For PS110-7B) | 1 |
| B-10 | 97-8-235-1X | Gear - 4th (40T) (For PS110-7A, PS145-7A) | 1 |
| | 97-8-238-1X | Gear - 4th (38T) (For PS110-7B) | 1 |
| B-11 | N.S.S. | Gear - 4th | 1 |
| B-12 | 97-381-43 | Snap Ring - 4th Gear Internal Stop | 1 |
| B-13 | 97-381-1 | Snap Ring - Internal - Small | 2 |
| B-14 | 330814 | Thrust Washer - External - Small (20T) | 2 |
| B-15 | 330960 | Thrust Washer - Internal - Small (36T) | 2 |
| B-16 | 97-381-45 | Snap Ring - External - Small | 2 |
| B-17 | 97-465-56 | Clutch Collar - 4th and 5th Mainshaft (20T) | 1 |
| B-18 | 97-8-234-1X | Gear - 5th (34T) (For PS110-7A, PS145-7A) | 1 |
| | 97-8-237-1X | Gear - 5th (32T) (For PS110-7B) | 1 |
| B-19 | N.S.S. | Gear - 5th | 1 |
| B-20 | 97-381-43 | Snap Ring - 5th Gear Internal Stop | 1 |
| B-21 | 97-8-232 | Gear - 6th (24T) (For PS110-7A, PS145-7A) | 1 |
| | 97-8-236 | Gear - 6th (26T) (For PS110-7B) | 1 |
| B-22 | 97-381-2 | Snap Ring - Internal | 1 |
| B-23 | 330961 | Thrust Washer - Internal (22T) | 1 |
| B-24 | 330806 | Thrust Washer - External (17T) | 1 |
| B-25 | 97-381-46 | Snap Ring - External | 1 |
| B-26 | 97-465-57 | Clutch Collar - 6th and 7th Mainshaft | 1 |
| B-27 | 97-8-182 | Gear - Reverse (64T) | 1 |
| B-28 | 97-381-32 | Snap Ring - Internal - Large | 2 |
| B-29 | 550925 | Bearing - Rear | 1 |
| B-30 | See Tab Bills | Flange or End Yoke - U-Joint (See chart on page 21) | 1 |
| B-31 | See Tab Bills | Speedometer Drive Gear/Electronic Signal Gear | 1 |
| | or 97-37-34 | Spacer (Used in place of Speedometer Gear) | 1 |
| B-32 | 97-37-33 | Spacer - Bearing | 1 |
| B-33 | 330734 | Flat Washer | 1 |
| B-34 | 545065 | Nut - Mainshaft - 1 3/4"-16 Self-locking | 1 |

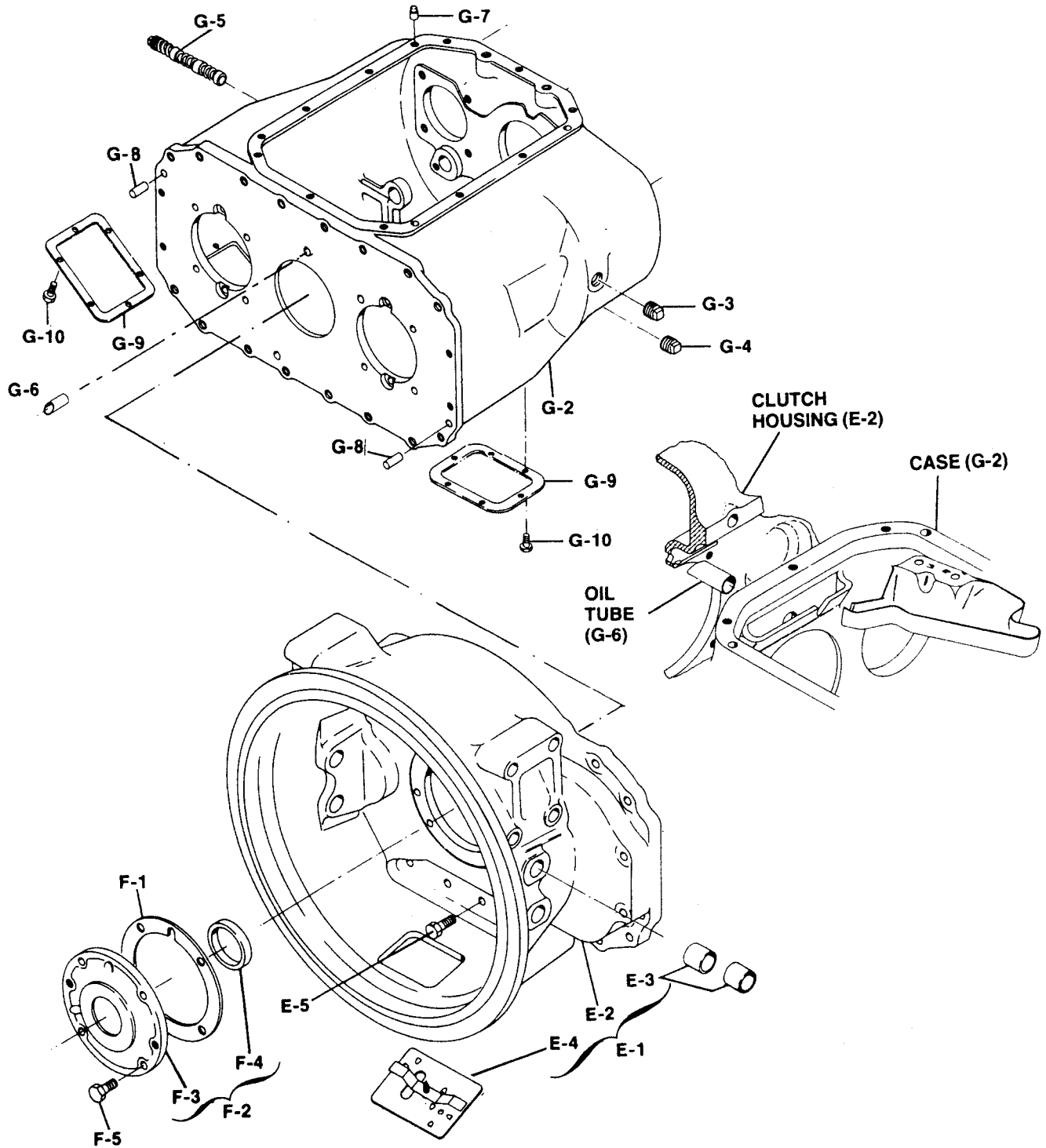




**Models PS110-7A/7B & PS145-7A
GEARS and RELATED PARTS**

T210-PS145-7

| Ref. No. | Part No. | Part Description | Qty |
|----------|------------|---|-----|
| C-1 | 97-30-74 | Countershaft Group (15T) - Splined for P.T.O. - (Standard location - Right Side) | 1 |
| | 97-30-75 | (15T) - Slotted for Pump - (Standard location - Left Side) | 1 |
| C-2 | 500010-8 | Woodruff Key #29 | 12 |
| C-3 | 97-196-92 | 2nd Gear (23T) (For PS110-7A, PS145-7A) | 2 |
| | 97-196-154 | 2nd Gear (23T) (For PS110-7B) | 2 |
| C-4 | 97-196-19 | 3rd Gear (32T) (For PS110-7A, PS145-7A) | 2 |
| | 97-196-32 | 3rd Gear (32T) (For PS110-7B) | 2 |
| C-5 | 97-196-95 | 4th Gear (37T) (For PS110-7A, PS145-7A) | 2 |
| | 97-196-156 | 4th Gear (43T) (For PS110-7B) | 2 |
| C-6 | 97-196-109 | 5th Gear (44T) (For PS110-7A, PS145-7A) | 2 |
| | 97-196-158 | 5th Gear (50T) (For PS110-7B) | 2 |
| C-7 | 97-196-110 | 6th Gear (43T) (For PS110-7A, PS145-7A) | 2 |
| | 97-196-173 | 6th Gear (56T) (For PS110-7B) | 2 |
| C-8 | 550031 | Bearing - Front | 2 |
| C-9 | 550959 | Bearing - Rear | 2 |
| C-10 | 97-1-50 | Drive Gear (57T) (For PS110-7A, PS145-7A) | 2 |
| | 97-1-56 | Drive Gear (69T) (For PS110-7B) | 2 |
| C-11 | 97-381-30 | Snap Ring - Front Bearing Retainer | 2 |
| C-12 | 54-381-1 | Snap Ring - Rear Bearing Retainer | 2 |
| | | Reverse Idler Group | |
| D-1 | 97-5-1 | Gear - Reverse Idler (21T) | 2 |
| D-2 | 97-37-1 | Spacer - Bearing | 2 |
| D-3 | 550886 | Bearing | 4 |
| D-4 | 97-60-1 | Shaft - Idler Gear | 2 |
| D-5 | 500566-8 | Lockball - 9/32" | 2 |

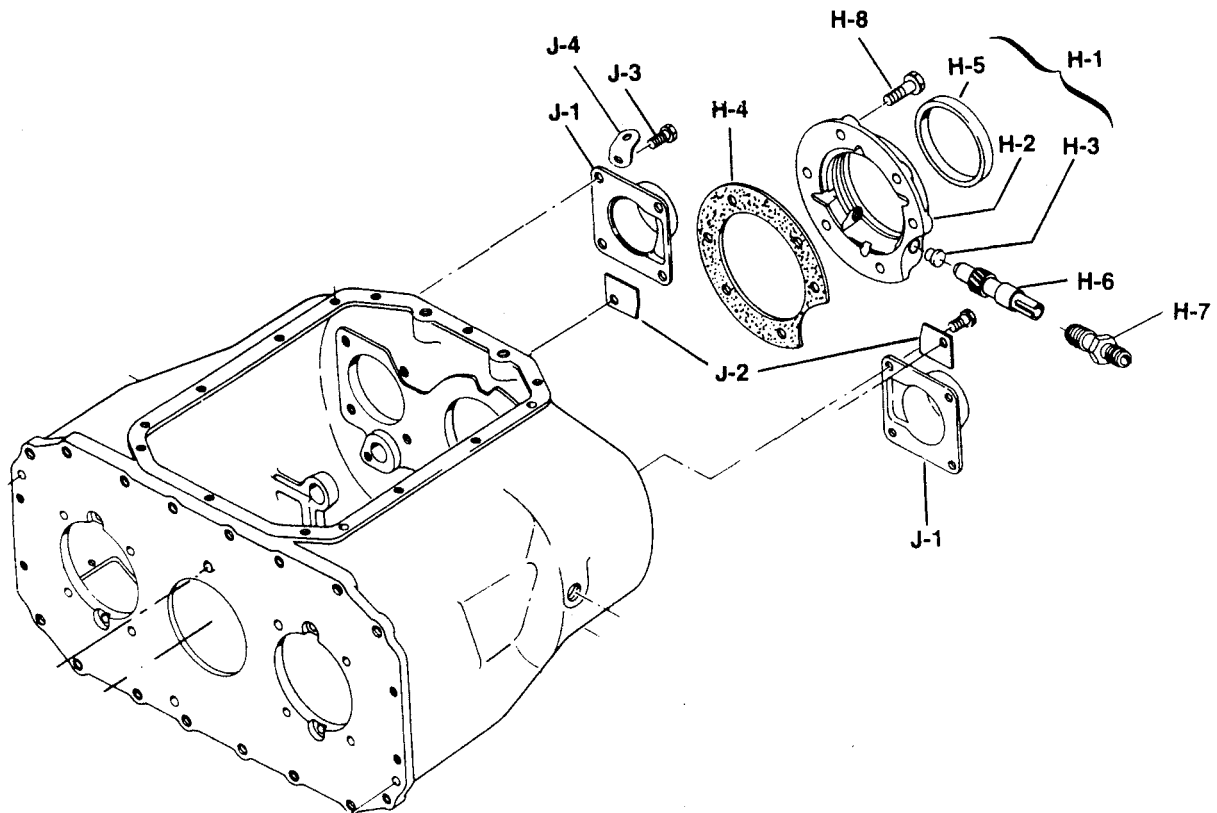




**Models PS110-7A/7B & PS145-7A
CASE, BEARING CAP and RELATED PARTS**

T210-PS145-7

| Ref. No. | Part No. | Part Description | Qty |
|-----------------|-----------------|--|------------|
| | | Clutch Housing Group | |
| E-1 | See Tab Bills | Clutch Housing Assembly - (See Chart on Page 17) | 1 |
| E-2 | N.S.S. | Clutch Housing | 1 |
| E-3 | 97-24-8 | Bushing - Clutch Release Shaft | 8 |
| E-4 | 97-96-18-1X | Hand Hole Cover Assembly | 1 |
| E-5 | 545008-4 | Bolt - 5/8"-11 x 2" Hex Head Self-locking | 16 |
| and | 545103 | Bolt - 3/8"-16 x 3" Hex Head Self-locking | 4 |
| N.S. | 330829 | Flat Washer - 5/8" (For use with Aluminum Housing) | 16 |
| N.S. | 14-W | Flat Washer - 3/8" (For use with Aluminum Housing) | 4 |
| | | Drive Gear Bearing Cap Group | |
| F-1 | 97-223-1 | Gasket | 1 |
| F-2 | 97-19-52-1X | Bearing Cap and Oil Seal Assembly | 1 |
| F-3 | N.S.S. | Bearing Cap (Casting #97-19-37) | 1 |
| F-4 | 97-463-36-1X | Oil Seal with Installation Sleeve | 1 |
| F-5 | 545002-4 | Bolt - 3/8"-16 x 1 1/8" Hex Head Self-locking | 4 |
| | | Case Group | |
| G-1 | See Tab Bills | Case Assembly | 1 |
| G-2 | N.S.S. | Case | 1 |
| N.S. | NP-96 | Name Plate | 1 |
| N.S. | 252-SP | Pin - Name Plate | 4 |
| G-3 | 62-39-3 | Filler Plug (Magnetic) | 1 |
| G-4 | 62-39-3 | Drain Plug (Magnetic) | 1 |
| G-5 | 97-39-1 | Drain Plug (Magnetic) | 1 |
| G-6 | 97-420-4 | Tube - Oil Transfer | 1 |
| G-7 | 274-SP | Dowel Pin - (To locate Shifter Housing to Case) | 2 |
| G-8 | 330755 | Dowel Pin - (To locate Clutch Housing to Case) | 2 |
| N.S. | 330934 | Ceramic Magnet - Bottom front | 1 |
| G-9 | 50-267-2 | Cover - Six Bolt P.T.O. Aperture | 2 |
| G-10 | 330800 | Bolt - 3/8"-16 x 3/4" - Flanged Head Self-locking | 12 |





**Models PS110-7A/7B & PS145-7A
CASE, BEARING CAP and RELATED PARTS**

T210-PS145-7

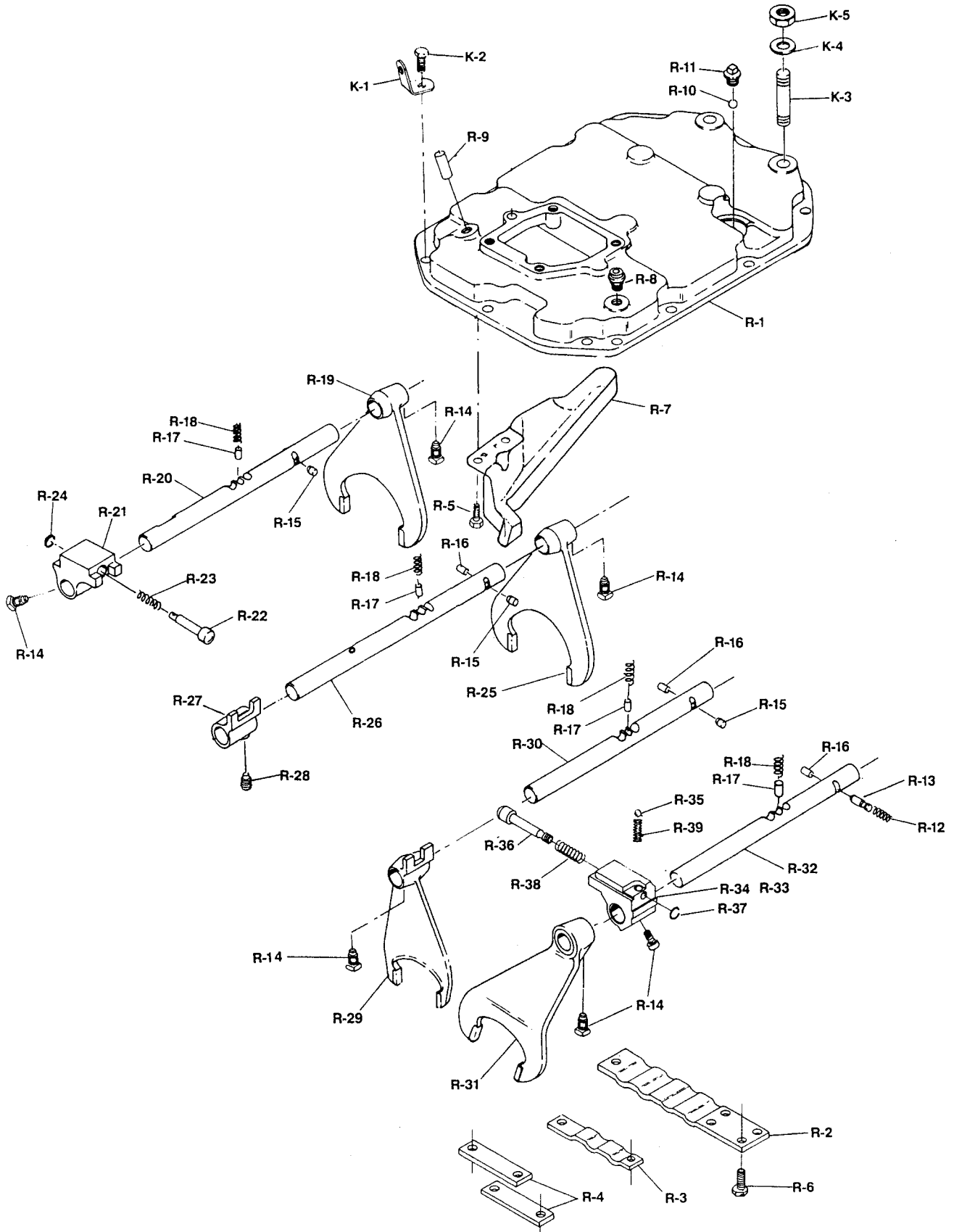
| Ref. No. | Part No. | Part Description | Qty |
|---|---------------|--|-----|
| Mainshaft Rear Bearing Cap - (For Gear Driven Speedometer) | | | |
| H-1 | 97-19-53-1X | Bearing Cap, Bushing, Gasket, and Oil Seal Assembly | 1 |
| H-2 | N.S.S. | Bearing Cap | 1 |
| H-3 | 60-475-1 | Bushing - Speedometer | 2 |
| H-4 | 97-223-2 | Gasket | 1 |
| H-5 | 97-463-39 | Oil Seal | 1 |
| N.S. | 545021 | Plug - Eletronic Speedometer/Cruise | 2 |
| H-6 | See Tab Bills | Gear - Speedometer Driven | 1 |
| N.S. | 55-334-1 | Plug - (Used without Speedometer Gear) | 1 |
| H-7 | 55-454-1 | Sleeve - Speedometer Driven Gear | 1 |
| H-8 | 545001-4 | Bolt - 1/2"-13 x 1 1/2" Hex Head Self-locking | 4 |
| and | 545001-8 | Bolt - 1/2"-13 x 2 1/2" Hex Head Self-locking | 2 |
| Mainshaft Rear Bearing - (For Electronic Speedometer) | | | |
| H-1 | 97-19-53-1X | Bearing Cap, Bushing, Gasket, and Oil Seal Assembly | 1 |
| H-2 | N.S.S. | Bearing Cap | 1 |
| H-3 | 60-475-1 | Bushing - Speedometer | 2 |
| H-4 | 97-223-2 | Gasket | 1 |
| H-5 | 97-463-39 | Oil Seal | 1 |
| N.S. | 545021 | Plug - Eletronic Speedometer/Cruise | 2 |
| N.S. | 55-334-1 | Plug - Speedometer Outlet | 1 |
| H-8 | 545001-4 | Bolt - 1/2"-13 x 1 1/2" Hex Head Self-locking | 4 |
| and | 545001-8 | Bolt - 1/2"-13 x 2 1/2" Hex Head Self-locking | 2 |
| Countershaft Rear Bearing Cap Group | | | |
| J-1 | 97-22-23 | Cap - Countershaft Rear Bearing | 2 |
| J-2 | 97-96-23 | Cap - Reverse Idler | 2 |
| J-3 | 545015 | Bolt - 3/8"-16 x 15/16" Flanged Head Self-locking | 10 |
| J-4 | 330564 | Lift Hook | 2 |
| N.S. | 545056 | Anaerobic Sealant | A/R |
| Countershaft Rear Bearing Cap Group with PTO Oil Pump | | | |
| N.S. | 313292 | PTO Oil Pump Assy. | 1 |
| N.S. | 97-22-21 | Countershaft Rear Bearing Cap pump mounting (usually on left side) | 1 |
| N.S. | 70-223-25 | Countershaft Oil Pump mounting Gasket | 1 |
| J-1 | 97-22-23 | Cap - Countershaft Rear Bearing (usually on right side) | 1 |
| N.S. | 97-223-22 | Gasket - Countershaft Rear Bearing Cap | 2 |
| J-3 | 545015 | Bolt - 3/8"-16 x 15/16" Flanged Head Self-locking (for 97-22-23 Cap) | 4 |
| N.S. | 545002-6 | Bolt - 3/8"-16 x 1.250" Flanged Head Self-locking (for 97-22-21 Cap) | 4 |
| N.S. | 545051 | Elbow - Pump inlet 90 deg. | 1 |

Models PS110-7A/7B & PS145-7A SHIFTER HOUSING ASSEMBLY



T210-PS145-7

FORWARD CONTROL





Models PS110-7A/7B & PS145-7A

SHIFTER HOUSING ASSEMBLY

FORWARD CONTROL

T210-PS145-7

| Ref. No. | Part No. | Part Description | Qty |
|----------|-----------------------|--|----------|
| | See Tab Bills | Shifter Housing Assembly | 1 |
| R-1 | 97-16-100-1X | Shift Housing, Oil Trough, and Shift Rod Retainers | 1 |
| | N.S.S. | Shift Housing | 1 |
| R-2 | 97-360-9 | Retainer - Shift Rod (Rear) | 1 |
| R-3 | 97-360-10 | Retainer - Shift Rod (Center) | 1 |
| R-4 | 97-360-11 | Retainer - Shift Rod (4th,5th,6th & 7th) (Front) | 2 |
| R-5 | 545125-2 | Screw - Oil Trough - 3/4"-16 x 3/4" Self Tapping | 2 |
| R-6 | 545125-1 | Screw - Shift Rod Retainers (1.00" long) Self Tapping | 9 |
| R-7 | 97-468-2 | Oil Trough | 1 |
| N.S. | 545126 | Screw - Control Hsg. | 4 |
| R-8 | 312268 | Breather | 1 |
| R-9 | 330739-1 | Pin - Back-up Light | 1 |
| R-10 | 50-80-4 | Ball - Neutral Safety Switch | 1 |
| R-11 | 545021 | Plug - Neutral Safety Switch | 1 |
| R-12 | 97-72-31 | Spring - Interlock Neutral Safety Switch | 1 |
| R-13 | 97-438-25 | Plunger - Neutral Safety Switch | 1 |
| | | For All Shift Forks, Brackets and Rod Groups | |
| R-14 | 545063 | Set Screw - .437"-20 x .750" w/.50" full thd. 60 deg. incl. point. | 7 |
| R-15 | 97-12-5 | Interlock - Shift Rod | 3 |
| R-16 | 194-SP | Pin - Interlock | 3 |
| R-17 | 97-438-34 | Poppet - Shift Rod | 4 |
| R-18 | 97-72-37 | Spring - Shift Rod Poppet | 4 |
| | | First and Reverse Shift Rod Group | |
| R-19 | 97-66-124 | Shift Fork | 1 |
| R-20 | 97-67-307-1X * | Shift Rod | 1 |
| R-21 | 97-354-11 | Shift Rod Bracket | 1 |
| R-22 | 97-438-30 | Plunger - 1st and Reverse Shift Bracket | 1 |
| R-23 | 97-72-2 | Spring - 1st and Reverse Shift Bracket Plunger | 1 |
| R-24 | 97-381-3 | Snap Ring - 1st and Reverse Shift Bracket Plunger | 1 |
| | | Second and Third Shift Rod Group | |
| R-25 | 97-66-110 | Shift Fork | 1 |
| R-26 | 97-67-341-1X * | Shift Rod | 1 |
| R-27 | 97-354-3 | Shift Rod Bracket | 1 |
| R-28 | 545063 | Set Screw - .437"-20 x .750" w/.50" full thd. 60 deg. incl. point. | 1 |
| | | Fourth and Fifth Shift Rod Group | |
| R-29 | 97-66-55 | Shift Fork | 1 |
| R-30 | 97-67-293-1X * | Shift Rod | 1 |
| | | Sixth and Seventh Shift Rod Group | |
| R-31 | 97-66-120 | Shift Fork | 1 |
| R-32 | 97-67-292-1X * | Shift Rod | 1 |
| R-33 | 97-354-32-1X | Shift Rod Bracket Assembly | 1 |
| R-34 | 97-354-32 | Shift Rod Bracket | 1 |
| R-35 | 50-80-1 | Ball - Shift Bracket Poppet | 1 |
| R-36 | 97-438-27 | Plunger - Shift Bracket | 1 |
| R-37 | 97-381-47 | Snap Ring | 1 |
| R-38 | 97-72-34 | Spring - Shift Bracket Plunger Pin | 1 |
| R-39 | 97-72-33 | Spring - Shift Bracket Pilot Pin | 1 |
| | | Parts Listed Below Are Not Included in Assembly | |
| N.S. | 545056-5 | Anaerobic Sealant | A/R |
| K-1 | 330564-1 | Lift Hook | 4 |
| K-2 | 545002-4 | Bolt - 3/8"-16 x 1 1/2" Hex Head Self-locking | 10 |
| K-3 | 330360-15 | Stud - 5/8"-11 & 5/8"-18 x 3 1/2" | 2 |
| or | 330360-18 | Stud - 5/8"-16 & 5/8"-18 x 4" | 2 |
| K-4 | 500365-43 | Washer - 5/8" Flat | 2 |
| K-5 | 500371-7 | Nut - 5/8"-18 | 2 |

* - Includes (1) each of R-17 and R-18

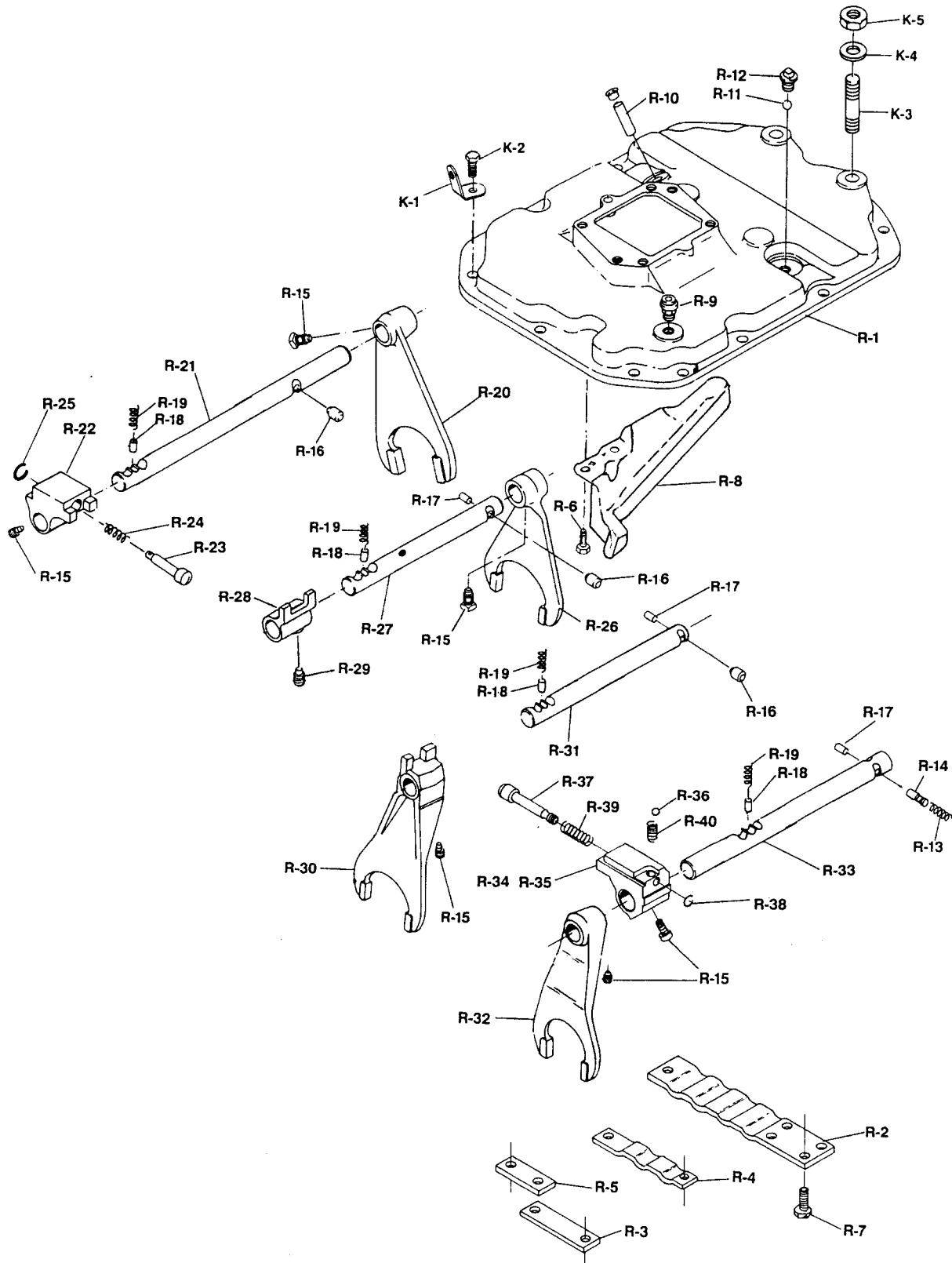
Models PS110-7A/7B & PS145-7A

SHIFTER HOUSING ASSEMBLY

CENTER CONTROL



T210-PS145-7





Models PS110-7A/7B & PS145-7A

SHIFTER HOUSING ASSEMBLY

CENTER CONTROL

T210-PS145-7

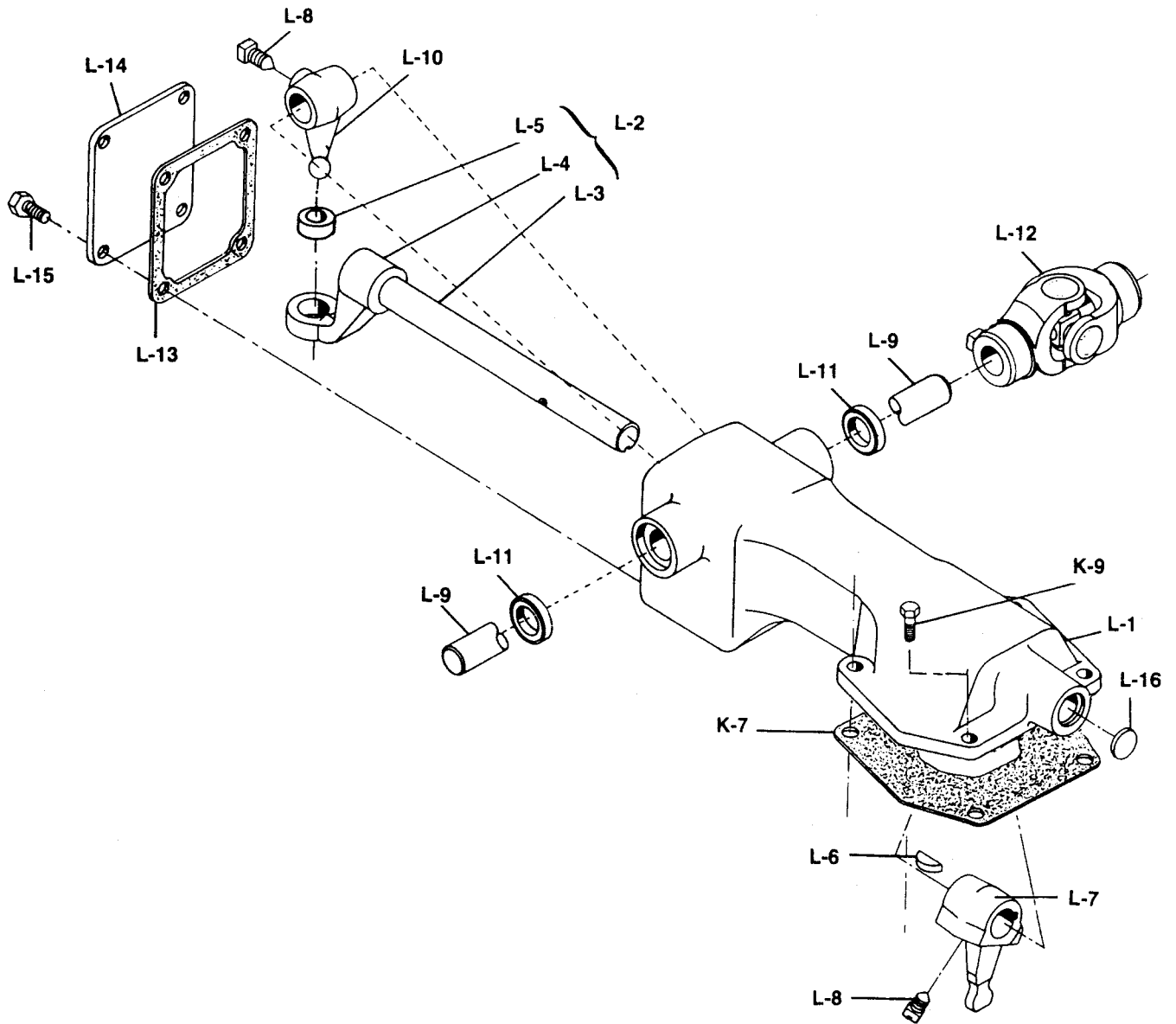
| Ref. No. | Part No. | Part Description | Qty |
|----------|----------------------|--|----------|
| | See Tab Bills | Shifter Housing Assembly | 1 |
| R-1 | 97-16-99-1X | Shifter Housing, Oil Trough and Shift Rod Retainers | 1 |
| | N.S.S. | Shift Housing | 1 |
| R-2 | 97-360-9 | Retainer - Shift Rod (Rear) | 1 |
| R-3 | 97-360-11 | Retainer - Shift Rod (4th,5th,6th & 7th) (Front) | 1 |
| R-4 | 97-360-12 | Retainer - Shift Rod (Center) | 1 |
| R-5 | 97-360-13 | Retainer - Shift Rod (1st & Reverse) (Front) | 1 |
| R-6 | 545125-2 | Screw - Oil Trough | 2 |
| R-7 | 545125-1 | Screw - Shift Rod Retainers (1.00" long) | 9 |
| R-8 | 97-468-2 | Oil Trough | 1 |
| N.S. | 545126 | Screw - Control Hsg. | 4 |
| R-9 | 312268 | Breather | 1 |
| R-10 | 330739-1 | Pin - Back-up Light | 1 |
| R-11 | 50-80-4 | Ball - Neutral Safety Switch | 1 |
| R-12 | 545021 | Plug - Neutral Safety Switch | 1 |
| R-13 | 97-72-31 | Spring - Interlock Neutral Safety Switch | 1 |
| R-14 | 97-438-25 | Plunger - Interlock Neutral Safety Switch | 1 |
| | | For All Shift Forks, Brackets and Rod Groups | |
| R-15 | 545063 | Set Screw - .437"-20 x .750" w/.50" full thd. 60 deg. incl. point. | 7 |
| R-16 | 97-12-5 | Interlock - Shift Rod | 3 |
| R-17 | 194-SP | Pin - Interlock | 3 |
| R-18 | 97-438-34 | Poppet - Shift Rod | 4 |
| R-19 | 97-72-37 | Spring - Shift Rod Poppet | 4 |
| | | First and Reverse Shift Rod Group | |
| R-20 | 97-66-124 | Shift Fork | 1 |
| R-21 | 97-67-303-1X * | Shift Rod | 1 |
| R-22 | 97-354-11 | Shift Rod Bracket | 1 |
| R-23 | 97-438-30 | Plunger - 1st and Reverse Shift Bracket | 1 |
| R-24 | 97-72-2 | Spring - 1st and Reverse Shift Bracket Plunger | 1 |
| R-25 | 97-381-3 | Snap Ring - 1st and Reverse Shift Bracket Plunger | 1 |
| | | Second and Third Shift Rod Group | |
| R-26 | 97-66-110 | Shift Fork | 1 |
| R-27 | 97-67-344-1X * | Shift Rod | 1 |
| R-28 | 97-354-3 | Shift Rod Bracket | 1 |
| R-29 | 545063 | Set Screw - .437"-20 x .750" w/.50" full thd. 60 deg. incl. point. | 1 |
| | | Fourth and Fifth Shift Rod Group | |
| R-30 | 97-66-61 | Shift Fork | 1 |
| R-31 | 97-67-305-1X * | Shift Rod | 1 |
| | | Sixth and Seventh Shift Rod Group | |
| R-32 | 97-66-120 | Shift Fork | 1 |
| R-33 | 97-67-306-1X * | Shift Rod | 1 |
| R-34 | 97-354-32-1X | Shift Rod Bracket Assembly | 1 |
| R-35 | 97-354-32 | Shift Rod Bracket | 1 |
| R-36 | 50-80-1 | Ball - Shift Bracket Poppet | 1 |
| R-37 | 97-438-27 | Plunger - Shift Bracket | 1 |
| R-38 | 97-381-47 | Snap Ring | 1 |
| R-39 | 97-72-34 | Spring - Shift Bracket Plunger Pin | 1 |
| R-40 | 97-72-33 | Spring - Shift Bracket Pilot Pin | 1 |
| | | Parts Listed Below are not Included in Assembly | |
| N.S. | 545056-5 | Anaerobic Sealant | A/R |
| K-1 | 330564-1 | Lift Hook | 4 |
| K-2 | 545002-4 | Bolt - 3/8"-16 x 1 1/2" Hex Head Self-locking | 10 |
| K-3 | 330360-15 | Stud - 5/8"-11 & 5/8"-18 x 3 1/2" | 2 |
| or | 330360-18 | Stud - 5/8"-16 & 5/8"-18 x 4" | 2 |
| K-4 | 500365-43 | Washer - 5/8" Flat | 2 |
| K-5 | 500371-7 | Nut - 5/8"-18 | 2 |

* - Includes (1) each of R-18 and R-19

Models PS110-7A/7B & PS145-7A
REMOTE CONTROL ASSEMBLY
HIGH ROD TYPE



T210-PS145-7



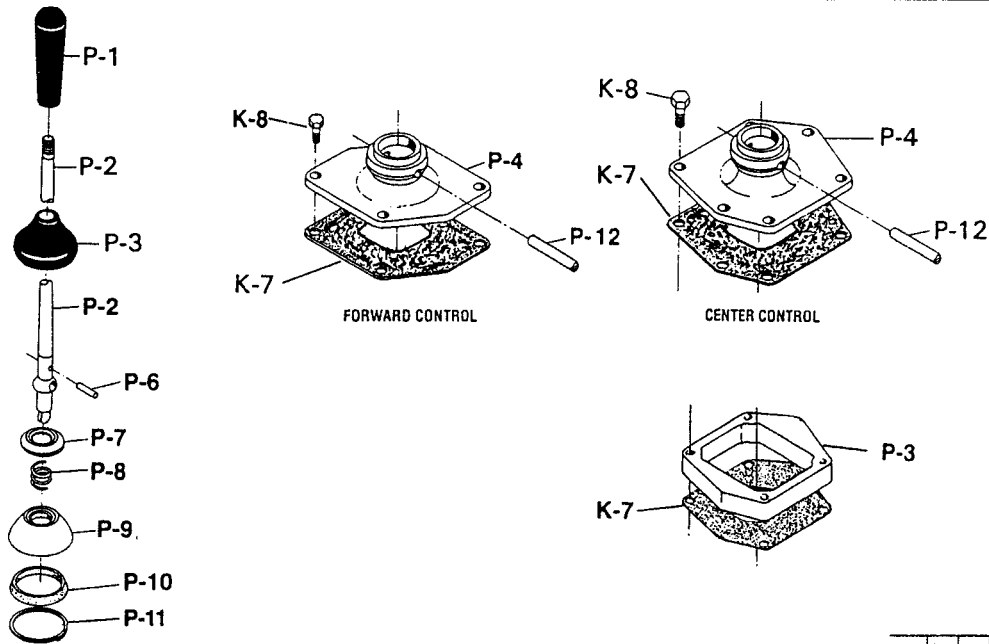


Models PS110-7A/7B & PS145-7A

REMOTE CONTROL ASSEMBLY

T210-PS145-7

| Ref. No. | Part Number | Part Description | 80-49X | 97-18-4-2X | 97-18-6-2X | 73-16-3-1X | 312-752-2X | 85-16-42-2X | 311-890-1X | 97-18-3-2X |
|----------|----------------------|--|--------|------------|------------|------------|------------|-------------|------------|------------|
| | See Tab Bills | Cover & Joint Assembly—Remote Control | 1 | 1 | 1 | 1 | 1 | 1 | 1 | 1 |
| | 311866X | Cover Assembly | 1 | | | | | | | |
| | 312755X | Cover Assembly | | | | | 1 | | | |
| | 311914X | Cover Assembly | | | | 1 | | | 1 | |
| | 97-18-16-1X | Cover Assembly | | | 1 | | | | | |
| | 85-16-42-1X | Cover Assembly (Rotated 180 Degrees and Welded) | | | | | | 1 | | |
| | 97-18-3-1X | Cover Assembly | | | | | | | | 1 |
| | 97-18-4-1X | Cover Assembly | | 1 | | | | | | |
| L-1 | N.S.S. | Remote Control Cover | 1 | 1 | 1 | 1 | 1 | 1 | 1 | 1 |
| N.S. | 82-24-3 | Bushing—Remote Control Cover | 4 | 4 | 4 | 4 | 4 | 4 | 4 | 4 |
| L-2 | 8093X | Shift Finger Rod and Bracket Assembly | 1 | | | | | | | |
| | 311888X | Shift Finger Rod and Bracket Assembly | | | | 1 | | | 1 | |
| | 312754X | Shift Finger Rod and Bracket Assembly | | | | | 1 | | | |
| | 97-65-39-1X | Shift Finger Rod and Bracket Assembly | | 1 | | | | | | |
| | 97-65-41-1X | Shift Finger Rod and Bracket Assembly | | | 1 | | | | | |
| | 85-65-11-1X | Shift Finger Rod and Bracket Assembly | | | | | | 1 | | |
| | 97-65-32-1X | Shift Finger Rod and Bracket Assembly | | | | | | | | 1 |
| L-3 | N.S.S. | Rod—Shift Finger | 1 | 1 | 1 | 1 | 1 | 1 | 1 | 1 |
| L-4 | N.S.S. | Bracket—Shift Finger | 1 | 1 | 1 | 1 | 1 | 1 | 1 | 1 |
| L-5 | 85-24-4 | Bushing—Shift Bracket | 1 | 1 | 1 | 1 | 1 | 1 | 1 | 1 |
| L-6 | 5000007-19 | Woodruff Key #11 | 1 | 1 | 1 | 1 | 1 | 1 | 1 | 1 |
| L-7 | 82-6-9 | Finger—Inner Shift | 1 | 1 | 1 | 1 | 1 | 1 | 1 | 1 |
| L-8 | 545063 | Bolt—7/16"-20 x 13/16" Hex Head Self-locking ... | 2 | 2 | 2 | 2 | 2 | 2 | 2 | 2 |
| L-9 | 82-65-5 | Rod—Remote Control | 1 | 1 | 1 | 1 | | 1 | 1 | 1 |
| | 82-65-22 | Rod—Remote Control | | | | | 1 | | | |
| L-10 | 82-6-7 | Finger—Outer Shift | 1 | 1 | 1 | 1 | 1 | 1 | 1 | 1 |
| L-11 | 28P-19 | Seal—Remote Control Shift Rod | 2 | 2 | 2 | 2 | 2 | 2 | 2 | 2 |
| L-12 | 10380-SF | U-Joint Assembly—Control Rod | 1 | | | | 1 | 1 | 1 | 1 |
| | 904388 | U-Joint Assembly—Control Rod | | 1 | 1 | 1 | | | | |
| L-13 | 82-118-1 | Gasket—Aperture Cover | 1 | 1 | 1 | 1 | 1 | 1 | 1 | 1 |
| L-14 | 82-96-1 | Aperture Cover | 1 | 1 | 1 | 1 | 1 | 1 | 1 | 1 |
| L-15 | 545005-1 | Bolt—5/16"-18 x 5/8" Hex Head Self-locking | 4 | 4 | 4 | 4 | 4 | 4 | 4 | 4 |
| L-16 | 500166-16 | Expansion Plug—1 1/16" | 1 | 1 | 1 | 1 | 1 | 1 | 1 | 1 |
| N.S. | 311903X | Boot Kit—Remote Control | 1 | 1 | | 1 | 1 | | 1 | |
| N.S. | 82-483-1 | Boot—Standard | 1 | 1 | | 1 | 1 | | 1 | |
| N.S. | 82-483-2 | Boot—Cup Type | 1 | 1 | | 1 | 1 | | 1 | |
| N.S. | LW-3-9 | Lockwire #18-M Gage (9"long) | 3 | 3 | | 3 | 3 | | 3 | |
| N.S. | 313259 | Valve—Road Speed Governor Control | | 1 | 1 | | | | | |
| | | Parts Listed Below Are Not Included in Assembly | | | | | | | | |
| K-7 | 97-155-12 | Gasket—Remote Control Cover | 1 | 1 | 1 | 1 | 1 | 1 | 1 | 1 |
| K-9 | 545126 | Bolt—7/16"-14 x 1 1/8" Hex Head Self-locking ... | 4 | 4 | 4 | 4 | 4 | 4 | 4 | 4 |

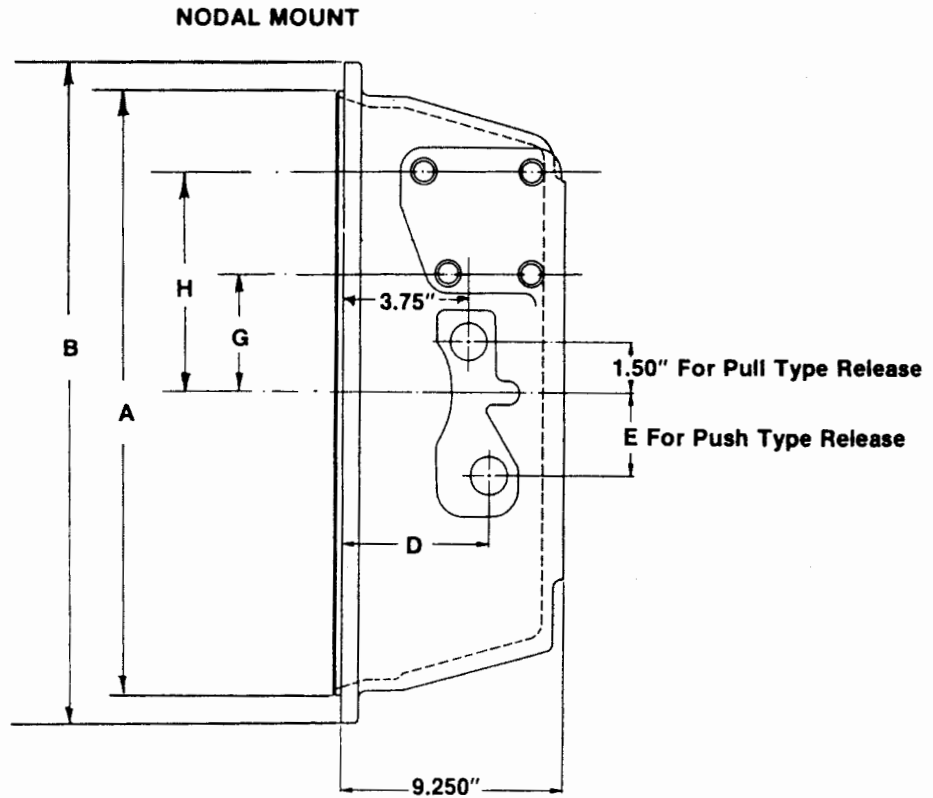


| REF. NO. | PART NO. | PART DESCRIPTION | 85-16-37-2X | 85-16-37-6X | 85-16-37-17X | 85-16-37-53X | 85-16-37-59X | 97-17-1-1X | 312820-1X |
|----------|----------------------|---|-------------|-------------|--------------|--------------|--------------|------------|-----------|
| | | | | | | | | | |
| | See Tab Bills | Shift Lever and Dome Assembly | | | | | | | |
| P-1 | 39Q-27 | Handle - Shift Lever | 1 | 1 | 1 | 1 | 1 | 1 | 1 |
| | 39Q-29 | Handle - Shift Lever | 1 | | | | | | |
| P-2 | 25Q-1106 | Shift Lever - Length 28 1/2" Straight | | | | 1 | | 1 | 1 |
| | 25Q-1533 | Shift Lever - Length 33" Straight | 1 | 1 | | | | | |
| | 25Q-1570 | Shift Lever - Length 33" Straight | | | 1 | | | 1 | |
| | 25Q-2168 | Shift Lever - Length 26.80" (2) Bends | | | | | 1 | | |
| P-3 | 85-37-9 | Spacer - Dome to Shifter Housing | 1 | 1 | | 1 | | | |
| K-7 | 97-155-12 | Gasket - Center (6 Holes) | 2 | 2 | 2 | 2 | | | |
| or | 97-155-13 | Gasket - Forward (4 Holes) | 4 | 4 | | 4 | | | |
| K-8 | 545126 | Bolt - 7/16"-14 x 2 1/4" Hex Head Self-locking | | | | | | | |
| | 82-16-19X | Dome Assembly - Shift Lever (Center)(Includes P-4 thru P-12) | | | | | | | 1 |
| | 85-16-37X | Dome Assembly - Shift Lever (Center)(Includes P-4 thru P-12) | 1 | 1 | 1 | 1 | 1 | | |
| | 97-17-1-1X | Dome Assembly - Shift Lever (Forward)(Includes P-4 thru P-12) | | | | | | | |
| P-4 | 82-16-19 | Dome - Shift Lever - 2 5/32" Height | | | | | | 1 | |
| | 85-16-37 | Dome - Shift Lever - 3 5/32" Height | | | | | | | 1 |
| | 97-17-1 | Dome - Shift Lever - 4 5/8" Height | 1 | 1 | 1 | 1 | 1 | | |
| P-5 | 55Q-5 | Gromet - Shift Lever | | | | | | 1 | |
| P-6 | 286-SP | Pin - Shift Lever Compression Collar | 1 | 1 | 1 | 1 | 1 | 1 | 1 |
| P-7 | 55Q-7 | Collar - Compression | 1 | 1 | 1 | 1 | 1 | 1 | 1 |
| P-8 | 56Q-25 | Spring - Compression | 1 | 1 | 1 | 1 | 1 | 1 | 1 |
| P-9 | 54Q-13 | Cup - Compression | 1 | 1 | 1 | 1 | 1 | 1 | 1 |
| P-10 | 69Q-6 | Washer - Friction | 1 | 1 | 1 | 1 | 1 | 1 | 1 |
| P-11 | 62-381-7 | Snap Ring - Rocker Shaft | 1 | 1 | 1 | 1 | 1 | 1 | 1 |
| P-12 | 53Q-15 | Rocker Shaft - Shift Lever | 1 | 1 | 1 | 1 | 1 | 1 | 1 |
| | | Parts Listed Below Are Not Included in Assembly | | | | | | | |
| K-7 | 97-155-12 | Gasket - Dome to Shifter Housing (6 Holes) | | | | | 1 | 1 | 1 |
| or | 97-155-13 | Gasket - Dome to Shifter Housing (4 Holes) | | | | | | 1 | 1 |
| K-8 | 545126 | Bolt - 7/16"-14 x 2 1/4" Hex Head Self-locking | | | 4 | | 4 | 4 | 4 |

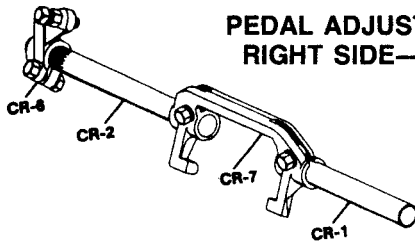
Models PS110-7A/7B & PS145-7A
CLUTCH HOUSING DIMENSIONS



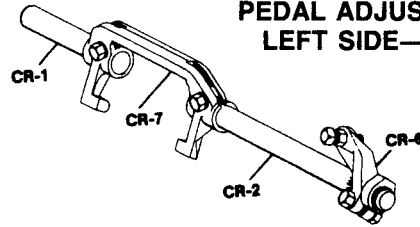
| Size No. | A Pilot Dia. | B O.D. |
|----------|----------------------------------|----------------------------------|
| 1 | 20 ¹ / ₈ " | 21 ³ / ₄ " |
| 2 | 17 ⁵ / ₈ " | 19 ¹ / ₄ " |



| Part No. E-2 | Casting No. | Material | SAE # | D Lower Hole Dim. Face To Center Hole | E Below Center | G | H |
|-----------------|-------------|----------|-------|---|----------------------|-------|-------|
| 97-518-52-1X | C97-518-35 | Iron | 2 | 4.375" | 2.375" | 3.50" | 6.50" |
| 97-518-66-1X | C97-518-33 | Iron | 1 | 3.750" | 1.500" | 4.00" | 8.50" |



PEDAL ADJUSTING ARM
RIGHT SIDE—310473X



PEDAL ADJUSTING ARM
LEFT SIDE—310233X

CR-1 SHORT SHAFT

| Part No. | Length |
|-----------|--------|
| 106C-1071 | 4.062" |
| 106C-1141 | 5.125" |
| 106C-1142 | 6.125" |
| 106C-1185 | 5.750" |
| 106C-1216 | 4.750" |
| 106C-1278 | 4.812" |
| 106C-1360 | 5.312" |
| 106C-1375 | 6.781" |
| 106C-1498 | 6.500" |
| 106C-1544 | 7.000" |
| 330601-1 | 6.250" |

CR-2 LONG SHAFT (Cont'd)

| Part No. | Type | Length |
|-----------|------|---------|
| 106C-1083 | RS-8 | 7.969" |
| 106C-1094 | RS-8 | 8.469" |
| 106C-1123 | RS-8 | 12.968" |
| 106C-1169 | RS-8 | 9.125" |
| 106C-1315 | RS-8 | 7.625" |
| 106C-1367 | RS-8 | 10.312" |
| 106C-1375 | RS-8 | 6.781" |
| 106C-1417 | RS-8 | 7.250" |
| 106C-1422 | RS-8 | 7.500" |
| 106C-1490 | RS-8 | 16.000" |
| 106C-1515 | RS-5 | 11.375" |
| 106C-1529 | RS-5 | 8.312" |
| 330610-5 | RS-8 | 9.469" |
| 330610-11 | RS-8 | 10.750" |
| 46-510-9 | RS-5 | 7.125" |
| 330610-10 | RS-8 | 9.500" |



CR-2 LONG SHAFT

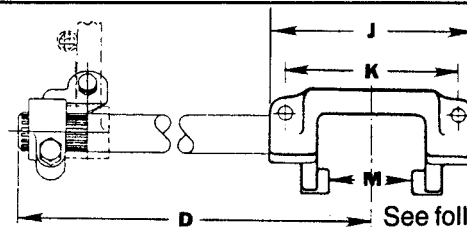
| Part No. | Type | Length |
|-----------|------|---------|
| 106C-438 | RS-5 | 14.000" |
| 106C-588 | RS-5 | 7.000" |
| 106C-617 | RS-8 | 10.469" |
| 106C-839 | RS-8 | 11.469" |
| 106C-939 | RS-8 | 10.000" |
| 106C-953 | RS-8 | 9.750" |
| 106C-959 | RS-8 | 11.968" |
| 106C-960 | RS-8 | 8.719" |
| 106C-1046 | RS-8 | 8.968" |
| 106C-1047 | RS-8 | 9.469" |

CR-6 PEDAL ADJ. ARM

- 310233X For Left Side Mtg.
 - 310473X For Right Side Mtg.
 - 47-526-1-1X• Lever Type 7/4"
 - 310873X• Lever Type 7/4"
- Lever type can be used on either right or left side.

THRU SHAFT (used with Push Type Clutch)

| Part No. | Type | Length |
|-----------|---------|---------|
| 106C-1566 | Splined | 19.125" |
| 106C-1550 | Keyed | 16.375" |
| 106C-1558 | Keyed | 19.000" |
| 106C-1578 | Splined | 19.500" |
| 49-510-1 | Keyed | 19.120" |
| 97-510-2 | Splined | 19.313" |



See following page for "D" dimensions.

CLUTCH RELEASE YOKES

| CR-7 | Forging No. | Used With | Type | J | K | M |
|-----------------------|-------------|-------------------|------|--------|--------|--------|
| 105C-64 | F105C64 | Spicer 15 1/2" SP | Pull | 8.000" | 6.500" | 4.895" |
| 105C-68 | F105C99 | Spicer 14" SP | Pull | 7.125" | 5.750" | 4.132" |
| 105C-117 ¹ | F105C118 | Spicer & Others | Push | 8.375" | 7.000" | 4.885" |
| 105C-124■ | F105C125 | Spicer AL & AR | Push | 3.750" | 2.125" | 2.885" |
| 105C-132 ² | F105C118 | Spicer & Others | Push | 8.375" | 7.000" | 4.885" |
| 105C-137 | F105C138 | Spicer 13" and | Pull | 8.000" | 6.500" | 4.895" |
| | C105C138 | 14" 2P | | | | |
| 85-509-3 ³ | F105C118 | Spicer & Others | Push | 8.375" | 7.000" | 4.885" |

¹Machined washer surface on yoke front
²Machined washer surface on yoke rear (for clearance)
³Same as ¹ above except contains spring holes in lugs
 ■Use 7743X Clutch Release Bearing and (2) 2306-12 Springs.

★ CLUTCH RELEASE YOKE ATTACHING PARTS—
 Use one KEY 10-30, two SCREWS 330231 and two LOCK WASHERS 500356-12
 NOTE: When changing from a two plate to single plate clutch or vice versa, a different bearing cap will be required.



Models PS110-7A/7B & PS145-7A CLUTCH RELEASE CODE TABLE

T210-PS145-7

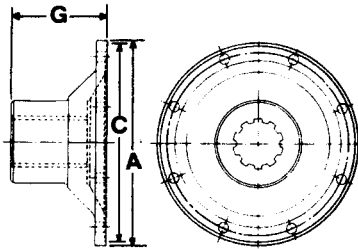
| Rel.Code See Tab Bill | CR-7 Yoke ★ | Shaft | | Adjustable Arm | D Dim. (In.) | Rel.Code See Tab Bill | CR-7 Yoke ★ | Shaft | | Adjustable Arm | D Dim. (In.) |
|-----------------------------|----------------|------------|-----------|-------------------|--------------------|-----------------------------|----------------|------------|-----------|-------------------|--------------------|
| | | CR-1 Short | CR-2 Long | | | | | CR-1 Short | CR-2 Long | | |
| 1 | 105C-64 | 106C-1142 | 106C-1047 | 310233X | 11.969 | 60 | 105C-137 | 106C-1185 | 106C-617 | 310233X | 12.969 |
| 2 | 105C-64 | 106C-1185 | 106C-438 | — | 16.500 | 61 | 105C-137 | 106C-1185 | 106C-839 | 310233X | 13.969 |
| 3 | 105C-64 | 106C-1185 | 106C-939 | 310233X | 12.500 | 62 | 105C-137 | 106C-1185 | 106C-939 | 310233X | 12.500 |
| 4 | 105C-64 | 106C-1185 | 106C-1046 | 310233X | 11.468 | 63 | 105C-137 | 106C-1185 | 106C-939 | 310473X | 12.500 |
| 5 | 105C-64 | 106C-1185 | 106C-1047 | 310233X | 11.969 | 64 | 105C-137 | 106C-1185 | 106C-953 | 310473X | 12.250 |
| 6 | 105C-64 | 106C-1185 | 106C-1047 | 47-526-1-1X | 11.969 | 65 | 105C-137 | 106C-1185 | 106C-1046 | 310233X | 11.468 |
| 7 | 105C-64 | 106C-1544 | 106C-839 | 310233X | 13.969 | 66 | 105C-137 | 106C-1185 | 106C-1046 | 310473X | 11.468 |
| 8 | 105C-68 | 106C-1142 | 106C-438 | — | 16.125 | 67 | 105C-137 | 106C-1185 | 106C-1047 | 310233X | 11.969 |
| 9 | 105C-68 | 106C-1142 | 106C-617 | — | 12.594 | 68 | 105C-137 | 106C-1185 | 106C-1083 | 310233X | 10.469 |
| 10 | 105C-68 | 106C-1142 | 106C-617 | 310233X | 12.594 | 69 | 105C-137 | 106C-1185 | 106C-1094 | — | 10.969 |
| 11 | 105C-68 | 106C-1142 | 106C-839 | 310233X | 13.594 | 70 | 105C-137 | 106C-1185 | 106C-1094 | 310233X | 10.969 |
| 12 | 105C-68 | 106C-1142 | 106C-939 | 310233X | 12.125 | 71 | 105C-137 | 106C-1185 | 106C-1123 | — | 15.468 |
| 13 | 105C-68 | 106C-1142 | 106C-1046 | 310233X | 11.093 | 72 | 105C-137 | 106C-1185 | 106C-1123 | 310233X | 15.468 |
| 14 | 105C-68 | 106C-1142 | 106C-1047 | 310233X | 11.594 | 73 | 105C-137 | 106C-1185 | 106C-1367 | — | 12.812 |
| 15 | 105C-68 | 106C-1278 | 106C-438 | — | 16.125 | 74 | 105C-137 | 106C-1185 | 106C-1367 | 310233X | 12.812 |
| 15A | 105C-68 | 106C-1278 | 106C-939 | 310473X | 12.125 | 75 | 105C-137 | 106C-1185 | 106C-1375 | 310873X | 9.281 |
| 15B | 105C-68 | 106C-1278 | 106C-939 | 310233X | 12.125 | 76 | 105C-137 | 106C-1185 | 106C-1515 | — | 13.875 |
| 16 | 105C-117 | 106C-1071 | 106C-939 | 310233X | 12.750 | 77 | 105C-137 | 106C-1185 | 106C-1529 | — | 10.812 |
| 17 | 105C-117 | 106C-1071 | 106C-1094 | 310233X | 11.219 | 78 | 105C-137 | 106C-1185 | 330610-5 | — | 11.969 |
| 18 | 105C-117 | 106C-1142 | 106C-939 | 310233X | 12.750 | 78A | 105C-137 | 106C-1185 | 46-510-9 | — | 9.625 |
| 19 | 105C-117 | 106C-1185 | 106C-438 | — | 16.750 | 79 | 105C-137 | 106C-1216 | 106C-617 | 310233X | 12.969 |
| 20 | 105C-117 | 106C-1185 | 106C-617 | 310233X | 13.219 | 80 | 105C-137 | 106C-1278 | 106C-438 | — | 16.500 |
| 21 | 105C-117 | 106C-1185 | 106C-839 | 47-526-1-1X | 14.219 | 81 | 105C-137 | 106C-1278 | 106C-588 | — | 9.500 |
| 22 | 105C-117 | 106C-1185 | 106C-939 | 310233X | 12.750 | 82 | 105C-137 | 106C-1278 | 106C-588 | 310233X | 9.500 |
| 23 | 105C-117 | 106C-1185 | 106C-953 | 310873X | 12.500 | 83 | 105C-137 | 106C-1278 | 106C-617 | 310233X | 12.969 |
| 24 | 105C-117 | 106C-1185 | 106C-960 | 310233X | 11.469 | 84 | 105C-137 | 106C-1278 | 106C-939 | 310233X | 12.500 |
| 25 | 105C-117 | 106C-1185 | 106C-1046 | 310233X | 11.718 | 84A | 105C-137 | 106C-1278 | 106C-939 | 310473X | 12.500 |
| 26 | 105C-117 | 106C-1185 | 106C-1047 | 310233X | 12.219 | 85 | 105C-137 | 106C-1278 | 106C-939 | 310873X | 12.500 |
| 27 | 105C-117 | 106C-1185 | 106C-1083 | — | 10.719 | 86 | 105C-137 | 106C-1278 | 106C-960 | 310233X | 11.219 |
| 28 | 105C-117 | 106C-1185 | 106C-1083 | 310233X | 10.719 | 87 | 105C-137 | 106C-1278 | 106C-1046 | — | 11.468 |
| 29 | 105C-117 | 106C-1185 | 106C-1083 | 310473X | 10.719 | 88 | 105C-137 | 106C-1278 | 106C-1046 | 310233X | 11.468 |
| 30 | 105C-117 | 106C-1185 | 106C-1094 | 310233X | 11.219 | 89 | 105C-137 | 106C-1278 | 106C-1047 | — | 11.969 |
| 31 | 105C-117 | 106C-1185 | 106C-1094 | 310873X | 11.219 | 90 | 105C-137 | 106C-1278 | 106C-1047 | 310233X | 11.969 |
| 32 | 105C-117 | 106C-1185 | 106C-1169 | 310233X | 11.875 | 91 | 105C-137 | 106C-1278 | 106C-1083 | 310233X | 10.469 |
| 33 | 105C-117 | 106C-1185 | 106C-1315 | — | 10.375 | 91A | 105C-137 | 106C-1278 | 106C-1083 | 310473X | 10.469 |
| 34 | 105C-117 | 106C-1185 | 106C-1315 | 310233X | 10.375 | 92 | 105C-137 | 106C-1278 | 106C-1094 | 310233X | 10.969 |
| 35 | 105C-117 | 106C-1185 | 106C-1315 | 47-526-1-1X | 10.375 | 92A | 105C-137 | 106C-1278 | 106C-1315 | 310233X | 10.125 |
| 35A | 105C-117 | 106C-1185 | 106C-1375 | 310873X | 9.531 | 93 | 105C-137 | 106C-1278 | 106C-1375 | 310233X | 9.281 |
| 36 | 105C-117 | 106C-1185 | 106C-1417 | 310233X | 10.000 | 94 | 105C-137 | 106C-1278 | 106C-1422 | 310233X | 10.000 |
| 37 | 105C-117 | 106C-1185 | 106C-1417 | 310873X | 10.000 | 95 | 105C-137 | 106C-1278 | 106C-1529 | — | 10.812 |
| 38 | 105C-117 | 106C-1185 | 106C-1490 | 310233X | 18.750 | 96 | 105C-137 | 106C-1360 | 106C-1083 | — | 10.469 |
| 39 | 105C-117 | 106C-1278 | 106C-939 | 310233X | 12.750 | 96A | 105C-137 | 106C-1360 | 106C-1417 | 310233X | 9.750 |
| 40 | 105C-117 | 106C-1278 | 106C-960 | 310873X | 11.469 | 97 | 105C-137 | 106C-1360 | 106C-1422 | 310233X | 10.000 |
| 41 | 105C-117 | 106C-1278 | 106C-1047 | 310233X | 12.219 | 98 | 105C-137 | 106C-1375 | 106C-438 | 310233X | 16.500 |
| 42 | 105C-117 | 106C-1278 | 106C-1094 | 310233X | 11.219 | 99 | 105C-137 | 106C-1498 | 106C-438 | — | 16.500 |
| 43 | 105C-117 | 106C-1278 | 106C-1315 | 310233X | 10.375 | 100 | 105C-137 | 106C-1498 | 106C-617 | 310233X | 12.969 |
| 44 | 105C-117 | 106C-1278 | 106C-1367 | 310233X | 13.062 | 101 | 105C-137 | 106C-1498 | 106C-617 | 310473X | 12.969 |
| 45 | 105C-117 | 106C-1360 | 106C-1083 | 310233X | 10.719 | 102 | 105C-137 | 106C-1498 | 106C-939 | 310233X | 12.500 |
| 46 | 105C-117 | 106C-1360 | 106C-1315 | 310233X | 10.375 | 103 | 105C-137 | 106C-1498 | 106C-939 | 310473X | 12.500 |
| 46A | 105C-117 | 106C-1360 | 330610-10 | — | 12.250 | 104 | 105C-137 | 106C-1498 | 106C-953 | 310233X | 12.250 |
| 47 | 105C-117 | Thru Shaft | 106C-1550 | — | — | 105 | 105C-137 | 106C-1498 | 106C-959 | 310233X | 14.468 |
| 48 | 105C-117 | Thru Shaft | 106C-1558 | — | — | 106 | 105C-137 | 106C-1498 | 106C-1046 | 310233X | 11.468 |
| 49 | 105C-124 | 106C-1185 | 106C-438 | — | 14.313 | 107 | 105C-137 | 106C-1498 | 106C-1047 | — | 11.969 |
| 50 | 105C-124 | Thru Shaft | 106C-1566 | 310233X | — | 108 | 105C-137 | 106C-1498 | 106C-1047 | 310233X | 11.969 |
| 51 | 105C-124 | Thru Shaft | 106C-1566 | 310473X | — | 109 | 105C-137 | 106C-1498 | 106C-1083 | 310233X | 10.469 |
| 52 | 105C-124 | Thru Shaft | 106C-1566 | 310873X | — | 110 | 105C-137 | 106C-1498 | 106C-1094 | — | 10.969 |
| 52A | 105C-124 | Thru Shaft | 49-510-1 | 310233X | — | 111 | 105C-137 | 106C-1498 | 330610-11 | 310233X | 13.250 |
| 53 | 105C-132 | 106C-1185 | 106C-1047 | 310233X | 9.782 | 112 | 105C-137 | 330601-1 | 106C-939 | 310233X | 12.500 |
| 54 | 105C-132 | 106C-1185 | 106C-1083 | 310233X | 8.282 | 112A | 85-509-3 | 106C-1278 | 106C-939 | 310233X | 12.750 |
| 55 | 105C-132 | 106C-1185 | 106C-1417 | 310873X | 7.563 | 113 | 85-509-3 | 106C-1360 | 106C-1417 | 310233X | 10.000 |
| 56 | 105C-132 | 106C-1185 | 46-510-9 | — | 7.438 | 114 | 85-509-3 | Thru Shaft | 106C-1578 | 310233X | — |
| 57 | 105C-132 | 106C-1278 | 46-510-9 | — | 7.438 | 114A | 85-509-3 | Thru Shaft | 106C-1578 | 310473X | — |
| 58 | 105C-137 | 106C-1141 | 106C-1169 | 310233X | 11.625 | 115 | 85-509-3 | Thru Shaft | 106C-1578 | 310873X | — |
| 59 | 105C-137 | 106C-1185 | 106C-438 | — | 16.500 | 116 | 312916 | Thru Shaft | 97-510-2 | — | — |

■ Use 7743X Clutch Release Bearing and (2) 2306-12 Springs.

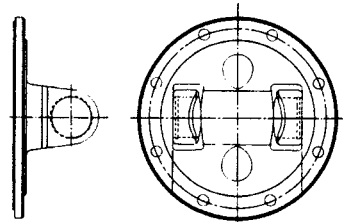
**Models PS110-7A/7B & PS145-7A
COMPANION FLANGES
AND END YOKES**



T210-PS145-7



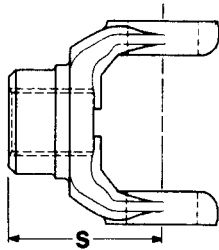
COMPANION FLANGE



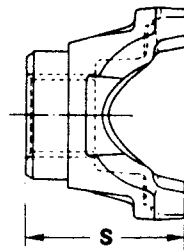
FLANGE YOKES

Companion Flanges and Flange Yokes

| A Joint Series | Flange Diameter | Companion Flange Assembly | Companion Flange | G to Flange Face Length | C Pilot Diameter F-Female M-Male | Mates With | |
|----------------------|--------------------|---------------------------------|---------------------|-------------------------------|--|----------------|--------|
| | | | | | | Flange Yoke | Series |
| 1710 | 8.00" | - | 6-1-5821 | 6.31" | M-6.436" | - | 1710 |
| 1810 | 8.00" | - | 6.5-1-269 | 3.64" | - | - | 1810 |



FULL ROUND



U-BOLT—BRG. STRAP—HALF ROUND

| Series | Yoke Style | End Yoke Part Number | S End of Hub To Center Line Length | Momentary Joint Angle | Brake Size | Spline Type |
|--------|------------|-------------------------|--|--------------------------|------------|-------------|
| 1610 | Half Round | 5-4-7951-1 | 5 1/2" | 18 1/2° | — | Fine |
| 1710 | Full Round | 6-4-7691 | 5 3/16" | 20° | — | Fine |
| 1710 | Half Round | 6-4-7691-1 | 5 3/16" | 20° | — | Fine |
| 1760 | Full Round | 6.3-4-1251 | 5 9/16" | 30° | — | Fine |
| 1760 | Half Round | 6.3-4-1251-1 | 5 9/16" | 30° | — | Fine |
| 1810 | Full Round | 6.5-4-3821 | 5 9/16" | 30° | — | Fine |
| 1810 | Half Round | 6.5-4-3821-1 | 5 9/16" | 30° | — | Fine |

Models PS110-7A/7B & PS145-7A
SERVICE PARTS OVERHAUL KITS



| Part No. | Part Description | 313400 | | |
|--------------|--|--------|------|------|
| | | -80X | -79X | -78X |
| | Major Overhaul Kits | 1 | 1 | 1 |
| | Found Only in Major Overhaul Kits | | | |
| 97-35-102 | Input Shaft - 2.000"-10 Spline #306 Pilot | 1 | - | - |
| 97-35-106 | Input Shaft - 1.750"-10 Spline #205 Pilot | - | 1 | - |
| 97-35-105 | Input Shaft - 1.750"-10 Spline #306 Pilot | - | - | 1 |
| 500010-8 | Woodruff Key #29 | 12 | 12 | 12 |
| 545065 | Nut - Mainshaft (1 3/4"-16 S.A.E. Thread) | 1 | 1 | 1 |
| 313432-35X | Minor Overhaul Kit (Included in Major Overhaul Kits) | 1 | 1 | 1 |
| 550031 | Bearing - Countershaft Front | 2 | 2 | 2 |
| 550992 | Bearing - Drive Gear/Input Shaft Front | 1 | 1 | 1 |
| 550959 | Bearing - Countershaft Rear | 2 | 2 | 2 |
| 550953 | Bearing - Drive Gear/Input Shaft Pocket Roller | 1 | 1 | 1 |
| 550925 | Bearing - Mainshaft Rear (Auxiliary Output) | 1 | 1 | 1 |
| 550886 | Bearing - Reverse Idler Gear Roller Assembly | 4 | 4 | 4 |
| 97-463-36-1X | Oil Seal - Drive Gear Bearing Cap (Includes 2815 Installation Bulletin and Installation Sleeve) | 1 | 1 | 1 |
| 97-463-39 | Oil Seal - Mainshaft Rear Bearing Cap | 1 | 1 | 1 |
| 545077 | Packet - #2 Moly Grease | 1 | 1 | 1 |
| 545080-1 | Adhesive - Mainshaft Nut Anaerobic Sealant | 1 | 1 | 1 |
| 312475-33X | Gasket Kit (Included in Major and Minor Overhaul Kit) | 1 | 1 | 1 |
| 545056-9 | Anaerobic Sealant - (1) 24cc Tube | 1 | 1 | 1 |
| 97-155-12 | Gasket - Control Housing (Center Control) | 1 | 1 | 1 |
| 97-155-13 | Gasket - Control Housing (Forward Control) | 1 | 1 | 1 |
| 97-223-1 | Gasket - Drive Gear Bearing Cap | 1 | 1 | 1 |
| 97-223-2 | Gasket - Mainshaft Rear Bearing Cap | 1 | 1 | 1 |
| 82-118-1 | Gasket - Remote Control Aperture Cover | 1 | 1 | 1 |
| 2754 | Bulletin - Liquid Gasket | 1 | 1 | 1 |
| 2770 | Bulletin - Pocket Bearing Lubrication Instructions | 1 | 1 | 1 |
| 2783 | Bulletin - Mainshaft Nuts | 1 | 1 | 1 |



**Models PS110-7A/7B & PS145-7A
SERVICE PARTS OVERHAUL KITS**

T210-PS145-7

| Part No. | Part Description | 313400 | | |
|-------------------|--|--------|------|------|
| | | -80X | -79X | -78X |
| 313429-24X | Shifter Housing Repair - Small Parts (Included in Major Overhaul Kit) | 1 | 1 | 1 |
| 97-12-5 | Interlock | 3 | 3 | 3 |
| 194-SP | Pin - Interlock | 2 | 2 | 2 |
| 330739-1 | Pin - Reverse Switch | 1 | 1 | 1 |
| 97-438-30 | Plunger - 1st & Reverse Shift Bracket | 1 | 1 | 1 |
| 97-438-34 | Poppet - Shift Rod | 4 | 4 | 4 |
| 97-381-3 | Snap Ring - Poppet 1st & Reverse Shift Bracket Plunger | 1 | 1 | 1 |
| 545125-1 | Screw - Shift Rod Retainers | 7 | 7 | 7 |
| 97-72-37 | Spring - Shift Rod Poppet | 4 | 4 | 4 |
| 97-72-2 | Spring - 1st & Reverse Shift Bracket Plunger | 1 | 1 | 1 |
| 50-80-4 | Ball - Neutral Safety Switch | 1 | 1 | 1 |
| 97-72-31 | Spring - Interlock (used with Neutral Safety Switch) | 1 | 1 | 1 |
| 313401-31X | Thrust Washer Kit - (Included in Major Overhaul Kit) | 1 | 1 | 1 |
| 330810 | Mainshaft Thrust Washer External (24T) Large | 4 | 4 | 4 |
| 330814 | Mainshaft Thrust Washer External (20T) Small | 2 | 2 | 2 |
| 330959 | Mainshaft Thrust Washer Internal (48T) Large | 5 | 5 | 5 |
| 330960 | Mainshaft Thrust Washer Internal (36T) Small | 2 | 2 | 2 |
| 330961 | Mainshaft Thrust Washer Internal (22T) | 1 | 1 | 1 |
| 330806 | Mainshaft Thrust Washer Internal (17T) | 1 | 1 | 1 |
| 313024-27X | Snap Ring Kit - (Included in Major and Minor Overhaul Kit) | 1 | 1 | 1 |
| 54-381-1 | Snap Ring - Countershaft Rear Bearing Retaining | 2 | 2 | 2 |
| 97-381-30 | Snap Ring - Countershaft Front Bearing Retaining | 2 | 2 | 2 |
| 97-381-44 | Snap Ring - Drive Gear | 1 | 1 | 1 |
| 97-381-42 | Snap Ring - Input Shaft Front Bearing Retaining | 1 | 1 | 1 |
| 97-381-41 | Snap Ring - Input Shaft Bearing Cap Retaining | 1 | 1 | 1 |
| 97-381-1 | Snap Ring - Mainshaft Internal (Small) | 2 | 2 | 2 |
| 98-381-2 | Snap Ring - Mainshaft Internal (Large) | 3 | 3 | 3 |
| 98-381-1 | Snap Ring - Mainshaft External (Large) | 5 | 5 | 5 |
| 97-381-32 | Snap Ring - Mainshaft Internal (Reverse Gear) | 2 | 2 | 2 |
| 97-381-45 | Snap Ring - Mainshaft External (Small) | 2 | 2 | 2 |
| 97-381-43 | Snap Ring - Mainshaft 4th & 5th Internal Stop | 2 | 2 | 2 |
| 97-381-46 | Snap Ring - Mainshaft External | 1 | 1 | 1 |
| 97-381-2 | Snap Ring - Mainshaft Internal | 1 | 1 | 1 |

Models PS110-7A/7B & PS145-7A



T210-PS145-7

TABULATED BILLS OF MATERIAL

| Tab No. | Used By | For Use With Clutch | S A E | Clutch Housing | Rel. Code | Drive Gear | Drive Gear | Case Assy. G-1 |
|-----------------------|---------------|---------------------|-------------|-----------------|-----------|-----------------|--------------|----------------|
| | | | | Assembly Number | | Input Shaft A-1 | Brg. Cap F-2 | |
| Model PS110-7A | | | | | | | | |
| 301519 | | | | | | | | |
| -51 | Navistar | Pull Type | 1 | 97-518-66-1X | - | 97-35-102-1X | 97-19-52-1X | 97-15-56-1X |
| -52 | Navistar | Pull Type | 2 | 97-518-52-1X | - | 97-35-106-1X | 97-19-52-1X | 97-15-56-1X |
| -53 | Navistar | Pull Type | 2 | 97-518-52-1X | - | 97-35-106-1X | 97-19-52-1X | 97-15-56-1X |
| -54 | Navistar | Pull Type | 1 | 97-518-66-1X | - | 97-35-102-1X | 97-19-52-1X | 97-15-56-1X |
| -55 | Not Assigned | | | | | | | |
| **56 | Volvo GM | Pull Type | 1 | 97-518-66-1X | - | 97-35-102-1X | 97-19-52-1X | 97-15-56-1X |
| -57 | Ford | Pull Type | 2 | 97-518-52-1X | - | 97-35-105-1X | 97-19-52-1X | 97-15-56-1X |
| -58 | Freightliner | Pull Type | 1 | 97-518-66-1X | - | 97-35-102-1X | 97-19-52-1X | 97-15-56-1X |
| -59 | Ford | Pull Type | 2 | 97-518-52-1X | - | 97-35-105-1X | 97-19-52-1X | 97-15-56-1X |
| -60 | Freightliner | Pull Type | 2 | 97-518-52-1X | - | 97-35-105-1X | 97-19-52-1X | 97-15-56-1X |
| -61 | Navistar | Pull Type | 2 | 97-518-52-1X | - | 97-35-105-1X | 97-19-52-1X | 97-15-56-1X |
| -62 | Navistar | Pull Type | 2 | 97-518-52-1X | - | 97-35-105-1X | 97-19-52-1X | 97-15-56-1X |
| | | | | | | | | |
| Model PS110-7B | | | | | | | | |
| 301518 | | | | | | | | |
| -1 | Navistar | Pull Type | 1 | 97-518-66-1X | - | 97-35-102-1X | 97-19-52-1X | 97-15-56-1X |
| -2 | Navistar | Pull Type | 1 | 97-518-66-1X | - | 97-35-102-1X | 97-19-52-1X | 97-15-56-1X |
| -3 | Navistar | Pull Type | 2 | 97-518-52-1X | - | 97-35-106-1X | 97-19-52-1X | 97-15-56-1X |
| **4 | Volvo-GM | Pull Type | 1 | 97-518-66-1X | - | 97-35-102-1X | 97-19-52-1X | 97-15-56-1X |
| -5 | DPD Australia | Pull Type | 1 | 97-518-66-1X | - | 97-35-102-1X | 97-19-52-1X | 97-15-56-1X |
| -6 | Ford | Pull Type | 2 | 97-518-52-1X | - | 97-35-105-1X | 97-19-52-1X | 97-15-56-1X |
| -7 | Ford | Pull Type | 1 | 97-518-66-1X | - | 97-35-102-1X | 97-19-52-1X | 97-15-56-1X |
| **8 | Volvo-GM | Pull Type | 1 | 97-518-66-1X | - | 97-35-102-1X | 97-19-52-1X | 97-15-56-1X |
| -9 | Ford | Pull Type | 1 | 97-518-66-1X | - | 97-35-102-1X | 97-19-52-1X | 97-15-56-1X |
| -10 | Freightliner | Pull Type | 1 | 97-518-66-1X | - | 97-35-102-1X | 97-19-52-1X | 97-15-56-1X |
| @11 | Freightliner | Pull Type | 1 | 97-518-66-1X | - | 97-35-102-1X | 97-19-52-1X | 97-15-56-1X |
| -12 | Navistar | Pull Type | 1 | 97-518-66-1X | - | 97-35-102-1X | 97-19-52-1X | 97-15-56-1X |
| -13 | Navistar | Pull Type | 2 | 97-518-52-1X | - | 97-35-105-1X | 97-19-52-1X | 97-15-56-1X |
| -14 | Navistar | Pull Type | 2 | 97-518-52-1X | - | 97-35-105-1X | 97-19-52-1X | 97-15-56-1X |
| -15 | Ford | Pull Type | 2 | 97-518-52-1X | - | 97-35-105-1X | 97-19-52-1X | 97-15-56-1X |
| -16 | Ford | Pull Type | 2 | 97-518-52-1X | - | 97-35-105-1X | 97-19-52-1X | 97-15-56-1X |
| -17 | Kenworth | Pull Type | 1 | 97-518-66-1X | 100 | 97-35-102-1X | 97-19-52-1X | 97-15-56-1X |

** - Includes Neutral Start Switch

@ - Countershaft PTO provision both sides



Models PS110-7A/7B & PS145-7A

TABULATED BILLS OF MATERIAL

T210-PS145-7

| Tab No. | Mainshaft Rear Brg. Cap Assy. H-2 | Speedo Drive or Sig. Gear B-30 | Speedo Driven H-7 | Compan. Fling. or Yoke 21 | Shft. Hsg. Assembly 11-14 | Lever & Dome 18 | Remote Control 16 |
|---------|-----------------------------------|--------------------------------|-------------------|---------------------------|---------------------------|-----------------|-------------------|
|---------|-----------------------------------|--------------------------------|-------------------|---------------------------|---------------------------|-----------------|-------------------|

Model PS110-7A

301519

| | | | | | | | |
|-----|--------------|-----------|---|------------|--------------|---|---|
| -51 | 97-19-53-1X | - | - | - | 97-16-99-3X | - | - |
| -52 | 97-19-53-1X | - | - | - | 97-16-100-3X | - | - |
| -53 | 97-19-58-1X | - | - | - | 97-16-100-3X | - | - |
| -54 | 97-19-53-1X | - | - | - | 97-16-100-3X | - | - |
| -55 | Not Assigned | | | | | | |
| | | | | | | | |
| -56 | 97-19-53-1X | 97-452-19 | - | - | 97-16-100-3X | - | - |
| -57 | 97-19-53-1X | 97-452-19 | - | 6-4-7691-1 | 97-16-99-3X | - | - |
| -58 | 97-19-53-1X | 97-452-19 | - | 6-4-7691-1 | 97-16-100-3X | - | - |
| -59 | 97-19-53-1X | 97-452-19 | - | 6-4-7691-1 | 97-16-100-3X | - | - |
| -60 | 97-19-53-1X | 97-452-19 | - | 6-4-7691-1 | 97-16-99-3X | - | - |
| | | | | | | | |
| -61 | 97-19-53-1X | - | - | - | 97-16-100-3X | - | - |
| -62 | 97-19-58-1X | - | - | - | 97-16-100-3X | - | - |

Model PS110-7B

301518

| | | | | | | | |
|-----|-------------|-----------|---|--------------|--------------|---|---|
| -1 | 97-19-53-1X | - | - | - | 97-16-99-3X | - | - |
| -2 | 97-19-53-1X | - | - | - | 97-16-100-3X | - | - |
| -3 | 97-19-53-1X | - | - | - | 97-16-100-3X | - | - |
| -4 | 97-19-53-1X | 97-452-19 | - | - | 97-16-100-3X | - | - |
| -5 | 97-19-53-1X | 97-452-19 | - | 6.5-4-3821-1 | 97-16-99-3X | - | - |
| | | | | | | | |
| -6 | 97-19-53-1X | 97-452-19 | - | 6-4-7691-1 | 97-16-99-3X | - | - |
| -7 | 97-19-53-1X | 97-452-19 | - | 6.3-4-1251-1 | 97-16-100-3X | - | - |
| -8 | 97-19-53-1X | - | - | - | 97-16-99-3X | - | - |
| -9 | 97-19-53-1X | 97-452-19 | - | 6.5-4-3821-1 | 97-16-100-3X | - | - |
| -10 | 97-19-53-1X | 97-452-19 | - | 6.3-4-1251-1 | 97-16-99-4X | - | - |
| | | | | | | | |
| -11 | 97-19-53-1X | 97-452-19 | - | 6.3-4-1251-1 | 97-16-99-4X | - | - |
| -12 | 97-19-53-1X | - | - | - | 97-16-99-3X | - | - |
| -13 | 97-19-53-1X | - | - | - | 97-16-100-3X | - | - |
| -14 | 97-19-58-1X | - | - | - | 97-16-100-3X | - | - |
| -15 | 97-19-53-1X | 97-452-19 | - | 6.3-4-1251-1 | 97-16-100-3X | - | - |
| | | | | | | | |
| -16 | 97-19-53-1X | 97-452-19 | - | 6-4-7691-1 | 97-16-100-3X | - | - |
| -17 | 97-19-53-1X | 97-452-19 | - | 6-4-7691-1 | 97-16-99-3X | - | - |

Models PS110-7A/7B & PS145-7A



T210-PS145-7

TABULATED BILLS OF MATERIAL

| Tab No. | Used By | For Use With Clutch | S A E | Clutch Housing | Rel. Code | Drive Gear | Drive Gear | Case Assy. G-1 |
|-----------------------|---------------------|---------------------|-------------|-----------------|-----------|-----------------|--------------|----------------|
| | | | | Assembly Number | | Input Shaft A-1 | Brg. Cap F-2 | |
| Model PS145-7A | | | | | | | | |
| 301520 | | | | | | | | |
| -101 | Freightliner | Pull Type | 1 | 97-518-66-1X | - | 97-35-102-1X | 97-19-52-1X | 97-15-56-1X |
| -102 | Peterbilt | Pull Type | 1 | 97-518-66-1X | - | 97-35-102-1X | 97-19-52-1X | 97-15-56-1X |
| -103 | Navistar | Pull Type | 1 | 97-518-66-1X | - | 97-35-102-1X | 97-19-52-1X | 97-15-56-1X |
| -104 | Navistar | Pull Type | 1 | 97-518-66-1X | - | 97-35-102-1X | 97-19-52-1X | 97-15-56-1X |
| -105 | DPD Australia | Pull Type | 1 | 97-518-66-1X | - | 97-35-102-1X | 97-19-52-1X | 97-15-56-1X |
| -106 | Prevost | Pull Type | 1 | 97-518-66-1X | 59 | 97-35-102-1X | 97-19-52-1X | 97-15-56-1X |
| -107 | Navistar | Pull Type | 1 | 97-518-66-1X | - | 97-35-102-1X | 97-19-52-1X | 97-15-56-1X |
| -108 | Ford | Pull Type | 2 | 97-518-52-1X | - | 97-35-105-1X | 97-19-52-1X | 97-15-56-1X |
| ** | -109 Volvo-GM | Pull Type | 1 | 97-518-66-1X | - | 97-35-102-1X | 97-19-52-1X | 97-15-56-1X |
| # | -110 FWD | Pull Type | 1 | 97-518-66-1X | 62 | 97-35-102-1X | 97-19-52-1X | 97-15-56-1X |
| -111 | Ford | Pull Type | 1 | 97-518-66-1X | - | 97-35-102-1X | 97-19-52-1X | 97-15-56-1X |
| -112 | Ford | Pull Type | 1 | 97-518-66-1X | - | 97-35-102-1X | 97-19-52-1X | 97-15-56-1X |
| -113 | Navistar | Pull Type | 2 | 97-518-52-1X | - | 97-35-106-1X | 97-19-52-1X | 97-15-56-1X |
| -114 | Ford | Pull Type | 2 | 97-518-52-1X | - | 97-35-102-1X | 97-19-52-1X | 97-15-56-1X |
| -115 | Kenworth | Pull Type | 1 | 97-518-66-1X | 100 | 97-35-102-1X | 97-19-52-1X | 97-15-56-1X |
| -116 | Volvo GM | Pull Type | 1 | 97-518-66-1X | - | 97-35-102-1X | 97-19-52-1X | 97-15-56-1X |
| -117 | Volvo GM | Pull Type | 1 | 97-518-66-1X | - | 97-35-102-1X | 97-19-52-1X | 97-15-56-1X |
| < | -118 Crane Carrier | Pull Type | 1 | 97-518-66-1X | 102 | 97-35-102-1X | 97-19-52-1X | 97-15-56-1X |
| -119 | Eagle International | Pull Type | 1 | 97-518-66-1X | - | 97-35-105-1X | 97-19-52-1X | 97-15-56-1X |
| -120 | Ford | Pull Type | 2 | 97-518-52-1X | - | 97-35-105-1X | 97-19-52-1X | 97-15-56-1X |
| -121 | Freightliner | Pull Type | 2 | 97-518-52-1X | - | 97-35-102-1X | 97-19-52-1X | 97-15-56-1X |
| -122 | Freightliner | Pull Type | 1 | 97-518-66-1X | - | 97-35-102-1X | 97-19-52-1X | 97-15-56-1X |
| -123 | Freightliner | Pull Type | 1 | 97-518-66-1X | - | 97-35-102-1X | 97-19-52-1X | 97-15-56-1X |
| -124 | Navistar | Pull Type | 2 | 97-518-52-1X | - | 97-35-105-1X | 97-19-52-1X | 97-15-56-1X |
| * | -125 Navistar | Pull Type | 1 | 97-518-66-1X | - | 97-35-102-1X | 97-19-52-1X | 97-15-56-1X |
| -126 | Navistar | Pull Type | 2 | 97-518-52-1X | - | 97-35-102-1X | 97-19-52-1X | 97-15-56-1X |
| * | -127 Navistar | Pull Type | 1 | 97-518-66-1X | - | 97-35-102-1X | 97-19-52-1X | 97-15-56-1X |
| -128 | Eagle International | Pull Type | 1 | 97-518-66-1X | - | 97-35-105-1X | 97-19-52-1X | 97-15-56-1X |

* - With Countershaft Oil Pump

- With 97-454-2-1X has (1) ea. 97-452-2 Speedo Sleeve and 97-463-34 Oil Sleeve

** - Includes 313291 Neutral Start Switch

< - With Clutch Brake Assembly 127760X



Models PS110-7A/7B & PS145-7A

TABULATED BILLS OF MATERIAL

T210-PS145-7

| Tab No. | Mainshaft Rear Brg. Cap Assy. H-2 | Speedo Drive or Sig. Gear B-30 | Speedo Driven H-7 | Compan. Flng. or Yoke 21 | Shft. Hsg. Assembly 11-14 | Lever & Dome 18 | Remote Control 16 |
|-----------------------|-----------------------------------|--------------------------------|-------------------|--------------------------|---------------------------|-----------------|-------------------|
| Model PS145-7A | | | | | | | |
| 301520 | | | | | | | |
| -101 | 97-19-53-1X | 97-452-19 | - | - | 97-16-99-4X | - | - |
| -102 | 97-19-53-1X | - | - | - | 97-16-99-3X | - | - |
| -103 | 97-19-53-1X | - | - | - | 97-16-99-3X | - | - |
| -104 | 97-19-53-1X | - | - | - | 97-16-100-3X | - | - |
| -105 | 97-19-53-1X | - | - | - | 97-16-99-4X | - | - |
| -106 | 97-19-53-1X | 97-452-18 | 97-453-15 | - | 97-16-99-3X | - | - |
| -107 | 97-19-53-1X | - | - | - | 97-16-100-3X | - | - |
| -108 | 97-19-53-1X | 97-452-19 | - | - | 97-16-99-3X | - | - |
| -109 | 97-19-53-1X | 97-452-19 | - | - | 97-16-100-3X | - | - |
| -110 | 97-19-53-1X | 97-452-20 | 97-453-16 * | - | 97-16-99-3X | - | - |
| -111 | 97-19-53-1X | 97-452-19 | - | 6.3-4-1251-1 | 97-16-100-3X | - | - |
| -112 | 97-19-53-1X | 97-452-19 | - | 6.5-4-3821-1 | 97-16-100-3X | - | - |
| -113 | 97-19-53-1X | - | - | - | 97-16-100-3X | - | - |
| -114 | 97-19-53-1X | 97-452-19 | - | 6.5-4-3821-1 | 97-16-100-3X | - | - |
| -115 | 97-19-53-1X | 97-452-19 | - | 6-4-7691-1 | 97-16-99-3X | - | - |
| -116 | 97-19-53-1X | 97-452-19 | - | - | 97-16-99-3X | - | - |
| -117 | 97-19-53-1X | 97-452-19 | - | 6-4-7691-1 | 97-16-100-3X | - | - |
| -118 | 97-19-53-1X | 97-452-18 | 97-453-15 | - | 97-16-99-3X | - | - |
| -119 | 97-19-53-1X | - | - | 6.5-1-2691 | 97-16-99-3X | - | - |
| -120 | 97-19-53-1X | 97-452-19 | - | 6-4-7691-1 | 97-16-100-3X | - | - |
| -121 | 97-19-53-1X | 97-452-19 | - | - | 97-16-100-3X | - | - |
| -122 | 97-19-53-1X | 97-452-19 | - | 6.3-4-1251-1 | 97-16-100-3X | - | - |
| -123 | 97-19-53-1X | 97-452-19 | - | 6.3-4-1251-1 | 97-16-99-3X | - | - |
| -124 | 97-19-53-1X | - | - | - | 97-16-100-3X | - | - |
| -125 | 97-19-53-1X | - | - | - | 97-16-100-3X | - | - |
| -126 | 97-19-53-1X | - | - | - | 97-16-100-3X | - | - |
| -127 | 97-19-53-1X | - | - | - | 97-16-99-3X | - | - |
| -128 | 97-19-53-1X | - | - | 6-4-7691-1 | 97-16-99-3X | - | - |

SUPERSESSON LIST OF HEAVY DUTY 7 SPEEDS



T210-PS145-7

BILLS OF MATERIAL

| 1372A to PS145-7A | | | | 1372A to PS145-7A | | | |
|-------------------|-----------|-----------|------------|-------------------|------------|---------------|------------|
| 1372A | 1372A | PS140-7A | PS145-7A | 1372A | 1372A | PS140-7A | PS145-7A |
| 301271-1 | 301398-1 | 301444-1 | | 301271-80 | 301398-80 | 301444-91 | |
| 301271-2 | 301398-2 | 301444-2 | | 301271-81 | 301398-81 | 301444-77 | |
| 301271-3 | 301398-3 | NONE | | 301271-82 | 301398-82 | NONE | |
| 301271-4 | 301398-4 | NONE | | 301271-83 | 301398-83 | NONE | |
| 301271-5 | 301398-5 | NONE | | 301271-84 | 301398-84 | 301444-96 | |
| 301271-6 | 301398-6 | NONE | | 301271-85 | 301398-85 | NONE | |
| 301271-7 | 301398-7 | 310444-85 | | 301271-86 | 301398-86 | NONE | |
| 301271-8 | 301398-8 | NONE | | 301271-87 | 301398-87 | NONE | |
| 301271-9 | 301398-9 | NONE | | 301271-88 | 301398-88 | NONE | |
| 301271-10 | 301398-10 | NONE | | 301271-89 | 301398-89 | NONE | |
| 301271-11 | 301398-11 | NONE | | 301271-90 | 301398-90 | 301444-10 | 301520-103 |
| 301271-12 | 301398-12 | 301444-3 | | 301271-91 | 301398-91 | 301444-11 | 301520-104 |
| 301271-14 | 301398-14 | NONE | | 301271-92 | 301398-92 | NONE | |
| 301271-16 | 301398-16 | NONE | | 301271-93 | 301398-93 | NONE | |
| 301271-17 | 310398-17 | NONE | | 301271-94 | 301398-94 | NONE | |
| 301271-18 | 301398-18 | NONE | | 301271-95 | 301398-95 | 301444-12 | |
| 301271-19 | 301398-19 | NONE | | 301271-96 | 301398-96 | NONE | |
| 301271-20 | 301398-20 | 301444-54 | | 301271-97 | 301398-97 | NONE | |
| 301271-21 | 301398-21 | NONE | | 301271-98 | 301398-98 | NONE | |
| 301271-22 | 301398-22 | 301444-4 | | 301271-99 | 301398-99 | NONE | |
| 301271-23 | 301398-23 | NONE | | 301271-100 | 301398-100 | 301444-80 | |
| 301271-24 | 301398-24 | NONE | | 301271-101 | 301398-101 | NONE | |
| 301271-25 | 301398-25 | NONE | | 301271-102 | 301398-102 | NONE | |
| 301271-26 | 301398-26 | NONE | | 301271-103 | 301398-103 | NONE | |
| 301271-27 | 301398-27 | NONE | | 301271-104 | 301398-104 | NONE | |
| 301271-28 | 301398-28 | NONE | | 301271-105 | 301398-105 | NONE | |
| 301271-29 | 301398-29 | NONE | | 301271-106 | 301398-106 | NONE | |
| 301271-30 | 301398-30 | NONE | | 301271-107 | 301398-107 | NONE | |
| 301271-31 | 301398-31 | NONE | | 301271-108 | 301398-108 | NONE | |
| 301271-33 | 301398-33 | NONE | | 301271-109 | 301398-109 | 301444-13 | |
| 301271-38 | 301398-38 | NONE | | 301271-110 | 301398-110 | NONE | |
| 301271-39 | 301398-39 | NONE | | 301271-111 | 301398-111 | 301444-14 | |
| 301271-41 | 301398-41 | NONE | | 301271-112 | 301398-112 | NONE | |
| 301271-42 | 301398-42 | 301444-75 | | 301271-113 | 301398-113 | NONE | |
| 301271-43 | 301398-43 | NONE | | 301271-114 | 301398-114 | NONE | |
| 301271-44 | 301398-44 | NONE | | 301271-115 | 301398-115 | NONE | |
| 301271-46 | 301398-46 | 301444-5 | | 301271-116 | 301398-116 | 301444-74 | 301520-118 |
| 301271-47 | 301398-47 | NONE | | 301271-117 | 301398-117 | 301444-15 | 301520-126 |
| 301271-49 | 301398-49 | NONE | | 301271-118 | 301398-118 | NONE | |
| 301271-51 | 301398-51 | NONE | | 301271-119 | 301398-119 | 301444-70 | |
| 301271-54 | 301398-54 | 301444-6 | | 301271-120 | 301398-120 | 301444-16 | |
| 301271-55 | 301398-55 | NONE | | 301271-121 | 301398-121 | NONE | |
| 301271-56 | 301398-56 | NONE | | 301271-122 | 301398-122 | 301444-19 * | |
| 301271-58 | 301398-58 | 301444-78 | | 301271-123 | 301398-123 | 301444-17 | |
| 301271-59 | 301398-59 | 301444-7 | 301520-101 | 301271-124 | 301398-124 | NONE | |
| 301271-69 | 301398-69 | NONE | | 301271-125 | 301398-125 | NONE | |
| 301271-71 | 301398-71 | 301444-52 | | 301271-126 | 301398-126 | NONE | |
| 301271-72 | 301398-72 | 301444-8 | 301520-102 | 301271-127 | 301398-127 | NONE | |
| 301271-73 | 301398-73 | NONE | | 301271-128 | 301398-128 | NONE | |
| 301271-74 | 301398-74 | NONE | | 301271-129 | 301398-129 | 301444-18 * | |
| 301271-75 | 301398-75 | NONE | | | | 301444-45 * | 301520-111 |
| 301271-76 | 301398-76 | 301444-9 | | | | 301444-46 * | 301520-112 |
| 301271-77 | 301398-77 | NONE | | 301271-130 | 301398-130 | 301444-19 * | |
| 301271-78 | 301398-78 | NONE | | | | 301444-47 ** | |
| 301271-79 | 301398-79 | NONE | | | | 301444-48 *** | |

* WITH 1710 END YOKE ** WITH 1760 END YOKE *** WITH 1810 END YOKE



SUPERSESION LIST OF HEAVY DUTY 7 SPEEDS

BILLS OF MATERIAL

T210-PS145-7

| 1372A to PS145-7A | | | | 1372A to PS145-7A | | | |
|-------------------|------------|-----------|------------|-------------------|------------|-----------|------------|
| 1372A | 1372A | PS140-7A | PS145-7A | 1372A | 1372A | PS140-7A | PS145-7A |
| 301271-131 | 301398-131 | 301444-20 | | - | 301398-182 | 301444-43 | |
| 301271-132 | 301398-132 | 301444-21 | | - | 301398-183 | NONE | |
| 301271-133 | 301398-133 | NONE | | - | 301398-184 | 301444-68 | 301520-105 |
| 301271-134 | 301398-134 | NONE | | - | 301398-185 | 301444-51 | |
| 301271-135 | 301398-135 | 301444-22 | | - | 301398-186 | NONE | |
| 301271-136 | 301398-136 | 301444-23 | | - | 301398-187 | 301444-62 | |
| 301271-137 | 301398-137 | NONE | | - | 301398-188 | NONE | |
| 301271-138 | 301398-138 | NONE | | - | 301398-189 | NONE | |
| 301271-139 | 301398-139 | 301444-50 | | - | 301398-190 | 301444-69 | |
| 301271-140 | 301398-140 | NONE | | - | 301398-191 | 301444-38 | 301520-109 |
| 301271-141 | 301398-141 | NONE | | - | 301398-192 | 301444-49 | 301520-113 |
| 301271-142 | 301398-142 | NONE | | - | 301398-193 | NONE | |
| 301271-143 | 301398-143 | 301444-24 | | - | 301398-194 | 301444-61 | |
| 301271-144 | 301398-144 | NONE | | - | 301398-195 | NONE | |
| 301271-145 | 301398-145 | NONE | | - | - | 301444-55 | |
| 301271-146 | 301398-146 | NONE | | - | - | 301444-56 | |
| 301271-147 | 301398-147 | NONE | | - | - | 301444-58 | |
| 301271-148 | 301398-148 | NONE | | - | - | 301444-59 | 301520-116 |
| 301271-149 | 301398-149 | NONE | | - | - | 601444-64 | |
| 301271-150 | 301398-150 | 301444-25 | | - | - | 301444-67 | 301520-117 |
| - | 301398-151 | 301444-26 | | - | - | 301444-71 | |
| - | 301398-152 | NONE | | - | - | 301444-72 | |
| - | 301398-153 | 301444-27 | | - | - | 301444-73 | |
| - | 301398-154 | 301444-28 | 301520-106 | - | - | 301444-79 | 301520-119 |
| - | 301398-155 | 301444-29 | | - | - | 301444-81 | 301520-120 |
| - | 301398-156 | 301444-30 | | - | - | 301444-82 | |
| - | 301398-157 | 301444-31 | | - | - | 301444-83 | |
| - | 301398-158 | NONE | | - | - | 301444-84 | |
| - | 301398-159 | NONE | | - | - | 301444-86 | |
| - | 301398-160 | 301444-32 | 301520-107 | - | - | 301444-88 | 301520-121 |
| - | 301398-161 | 301444-33 | | - | - | 301444-89 | 301520-122 |
| - | 301398-162 | 301444-34 | | - | - | 301444-90 | |
| - | 301398-163 | NONE | | - | - | 301444-92 | |
| - | 301398-164 | 301444-60 | 301520-115 | - | - | 301444-93 | 301520-123 |
| - | 301398-165 | 301444-35 | | - | - | | |
| - | 301398-166 | NONE | | - | - | 301444-63 | 301520-116 |
| - | 301398-167 | NONE | | - | - | 301444-64 | |
| - | 301398-168 | NONE | | - | - | 301444-65 | |
| - | 301398-169 | 301444-36 | 301520-108 | - | - | 301444-66 | |
| - | 301398-170 | 301444-37 | | - | - | NONE | 301520-110 |
| - | 301398-171 | NONE | | - | - | NONE | 301520-124 |
| - | 301398-172 | NONE | | | | | |
| - | 301398-173 | 301444-39 | | | | | |
| - | 301398-174 | 301444-40 | 301520-125 | | | | |
| - | 301398-175 | 301444-53 | 301520-127 | | | | |
| - | 301398-176 | 301444-41 | | | | | |
| - | 301398-177 | NONE | | | | | |
| - | 301398-178 | NONE | | | | | |
| - | 301398-179 | NONE | | | | | |
| - | 301398-180 | 301444-57 | | | | | |
| - | NONE | 301444-42 | 301520-114 | | | | |

**Models PS110-7A/7B & PS145-7A
SUPERSESSION LIST OF HEAVY DUTY 7 SPEEDS**



T210-PS145-7

BILLS OF MATERIAL

| 1372B to PS125-7B | | | | 1372B to PS125-7B | | | |
|-------------------|-----------|-----------|----------|-------------------|-----------|-----------|-----------|
| 1372B | 1372B | PS125-7B | PS110-7B | 1372B | 1372B | PS125-7B | PS110-7B |
| 301325-1 | 301405-1 | 301445-1 | | - | 301405-35 | 301445-26 | |
| 301325-2 | 301405-2 | 301445-2 | | - | 301405-36 | NONE | |
| 301325-3 | 301405-3 | 301445-3 | 301518-1 | - | 301405-37 | 301445-19 | |
| 301325-4 | 301405-4 | 301445-4 | | - | 301405-38 | NONE | |
| 301325-5 | 301405-5 | NONE | | - | 301405-39 | NONE | |
| 301325-6 | 301405-6 | NONE | | - | 301405-40 | 301445-20 | |
| 301325-7 | 301405-7 | 301445-5 | | - | 301405-41 | NONE | |
| 301325-8 | 301405-8 | NONE | | - | 301405-42 | NONE | |
| 301325-9 | 301405-9 | 301445-6 | | - | 301405-43 | NONE | |
| 301325-10 | 301405-10 | 301445-7 | 301518-2 | - | 301405-44 | 301445-21 | |
| 301325-11 | 301405-11 | NONE | | - | 301405-45 | NONE | |
| 301325-12 | 301405-12 | 301445-8 | | - | 301405-46 | NONE | |
| 301325-13 | 301405-13 | 301445-9 | 301518-3 | - | 301405-47 | NONE | |
| 301325-14 | 301405-14 | NONE | | - | 301405-49 | 301445-29 | |
| 301325-15 | 301405-15 | 301445-10 | | - | - | 301445-22 | |
| 301325-16 | 301405-16 | NONE | | - | - | 301445-23 | |
| 301325-17 | 301405-17 | NONE | | - | - | 301445-25 | |
| 301325-18 | 301405-18 | NONE | | - | - | 301445-30 | 301518-7 |
| 301325-19 | 301405-19 | NONE | | - | - | 301445-31 | 301518-8 |
| 301325-20 | 301405-20 | 301445-11 | 301518-4 | - | - | 301445-32 | |
| 301325-21 | 301405-21 | 301445-12 | | - | - | 301445-33 | |
| 301325-22 | 301405-22 | NONE | | - | - | 301445-34 | |
| 301325-23 | 301405-23 | 301445-13 | | - | - | 301445-35 | |
| 301325-24 | 301405-24 | NONE | | - | - | 301445-36 | 301518-5 |
| 301325-25 | 301405-25 | 301445-14 | | - | - | 301445-37 | 301518-9 |
| 301325-26 | 301405-26 | NONE | | - | - | 301445-38 | |
| 301325-27 | 301405-27 | NONE | | - | - | 301445-39 | |
| - | 301405-28 | 301445-27 | | - | - | 301445-40 | 301518-10 |
| - | 301405-29 | 301445-15 | | - | - | 301445-41 | 301518-11 |
| - | 301405-30 | 301445-24 | | - | - | 301445-42 | |
| - | 301405-31 | 301445-16 | | - | - | 301445-43 | 301518-12 |
| - | 301405-32 | 301445-17 | | - | - | - | 301518-13 |
| - | 301405-33 | NONE | | - | - | - | 301518-14 |
| - | 301405-34 | 301445-18 | 301518-6 | - | - | - | 301518-15 |



**Models PS110-7A/7B & PS145-7A
SUPERSESSON LIST OF HEAVY DUTY 7 SPEEDS**

BILLS OF MATERIAL T210-PS145-7

| 9072A to PS110-7A | | | 9072A to PS110-7A | | |
|-------------------|-----------|-----------|-------------------|-----------|-----------|
| 9072A | PS97-7A | PS110-7A | 9072A | PS97-7A | PS110-7A |
| 301321-1 | 301446-1 | 301519-51 | 301321-26 | 301446-13 | |
| 301321-2 | NONE | | 301321-27 | NONE | |
| 301321-3 | NONE | | 301321-28 | NONE | |
| 301321-4 | NONE | | 301321-29 | 301446-14 | |
| 301321-5 | 301446-2 | 301519-52 | 301321-30 | 301446-15 | |
| 301321-6 | 301446-3 | | 301321-31 | 301446-23 | |
| 301321-7 | 301446-4 | 301519-53 | 301321-32 | 301446-19 | |
| 301321-8 | NONE | | 301321-33 | NONE | |
| 301321-9 | NONE | | 301321-34 | NONE | |
| 301321-10 | 301446-5 | 301519-54 | - | 301446-17 | 301519-56 |
| 301321-11 | 301446-24 | | - | 301446-18 | |
| 301321-12 | NONE | | - | 301446-21 | |
| 301321-13 | NONE | | - | 301446-16 | |
| 301321-14 | 301446-6 | | - | 301446-22 | 301519-57 |
| 301321-15 | 301446-7 | | - | 301446-25 | |
| 301321-16 | 301446-20 | | - | 301446-27 | |
| 301321-17 | NONE | | - | 301446-28 | |
| 301321-18 | 301446-8 | | - | 301446-29 | |
| 301321-19 | NONE | | - | 301446-30 | 301519-58 |
| 301321-20 | NONE | | - | 301446-31 | |
| 301321-21 | 301446-9 | | - | 301446-32 | 301519-60 |
| 301321-22 | 301446-10 | | - | - | 301519-59 |
| 301321-23 | 301446-11 | | - | - | 301519-61 |
| 301321-24 | 301446-12 | | - | - | 301519-62 |



14700 Helm Court
Plymouth, MI 48170
(800) 401-9866 or (734) 456-3770
Fax: (734) 456-3739
www.ttcautomotive.com

