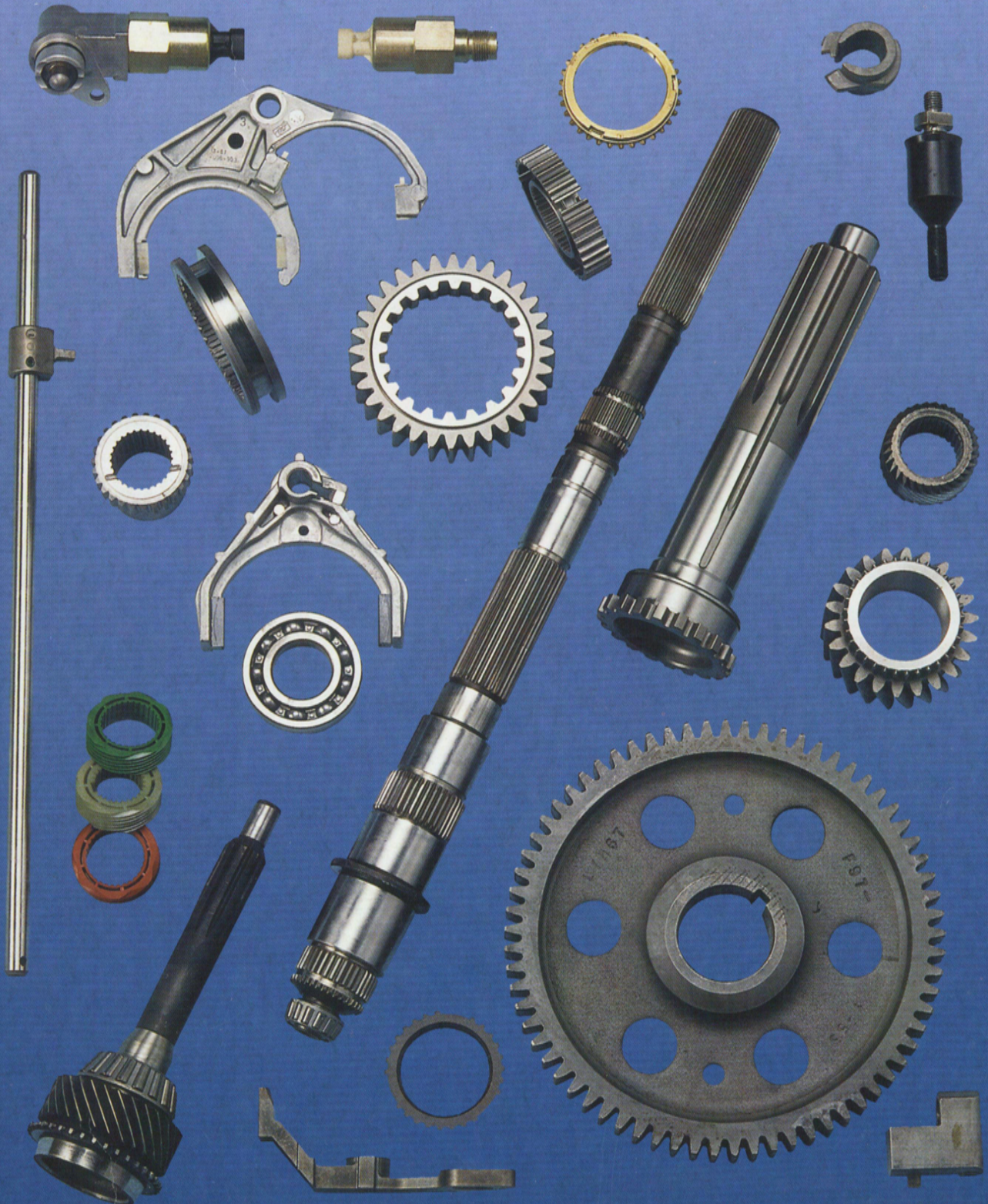


**PS 130 SERIES MAIN
TRANSMISSION
PARTS CATALOG**



Bulletin No. T210-PS130

Revised March 2000



MODEL PS130

RATIO TABLE and IDENTIFICATION

HDPS-0520-0599

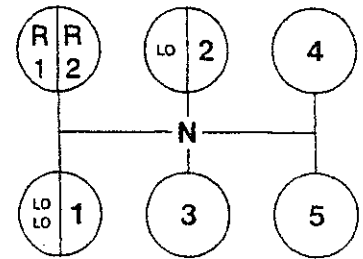
CONTENTS

RATIO TABLE.....	1
GEARS and RELATED PARTS.....	2-7
DRIVE GEAR GROUP (FRONT CASE).....	2-3
MAINSHAFT GROUP (FRONT CASE).....	2-3
COUNTERSHAFT GROUP (FRONT CASE).....	4-5
REVERSE IDLER SHAFT GROUP (FRONT CASE).....	4-5
DRIVE GEAR, COUNTERSHAFT, REVERSE IDLER GROUPS (REAR CASE).....	6-7
DRIVE GEAR BEARING CAP GROUP.....	8-9
CASE GROUP, CLUTCH HOUSING and RELATED PARTS.....	8-9
REAR CASE, REAR BEARING CAP and RELATED PARTS.....	10-11
SHIFT LEVER and DOME ASSEMBLY.....	12
COMPANION FLANGES and END YOKES.....	13
SHIFTER HOUSING ASSEMBLY—FORWARD CONTROL.....	14-15
SHIFTER HOUSING ASSEMBLY—CENTER CONTROL.....	16-17
REMOTE CONTROL ASSEMBLY.....	18-19
CLUTCH HOUSING DIMENSIONS.....	20
DIRECT AIR CONTROL PIPING DIAGRAM and RELATED PARTS.....	21
CLUTCH RELEASE CODE TABLE.....	22-23
OVERHAUL KITS—MAJOR and MINOR.....	24-25
TABULATED BILLS OF MATERIAL.....	26-27

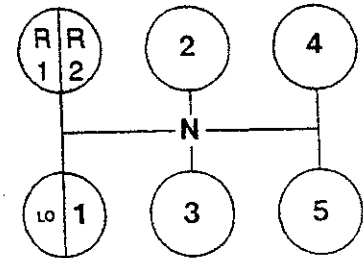
RATIO TABLE

SPEEDS	MODELS	
	PS105-7LL	PS130-6L
	9505-2A	9505-2B
Highway 1st Hi	8.53	8.53
2nd	4.87	4.87
3rd	2.87	2.87
4th	1.67	1.67
5th	1.00	1.00
Rev. Hi	8.53	8.53
Off Highway 1st Lo	24.36	14.49
Off Highway 2nd Lo	13.90	—
Rev. Lo	24.36	14.49

SHIFT PATTERN



PS105-7LL
9505-2A



PS130-6L
9505-2B

IDENTIFICATION

The Name Plate (NP-96) affixed to the REAR of the Transmission is stamped with information:

In requesting more information on these transmissions, please furnish this information.

Abbreviations used in this parts list include:

- N.S. — Not Shown
- N.S.S. — Not Sold Separately
- N.R. — Not Required

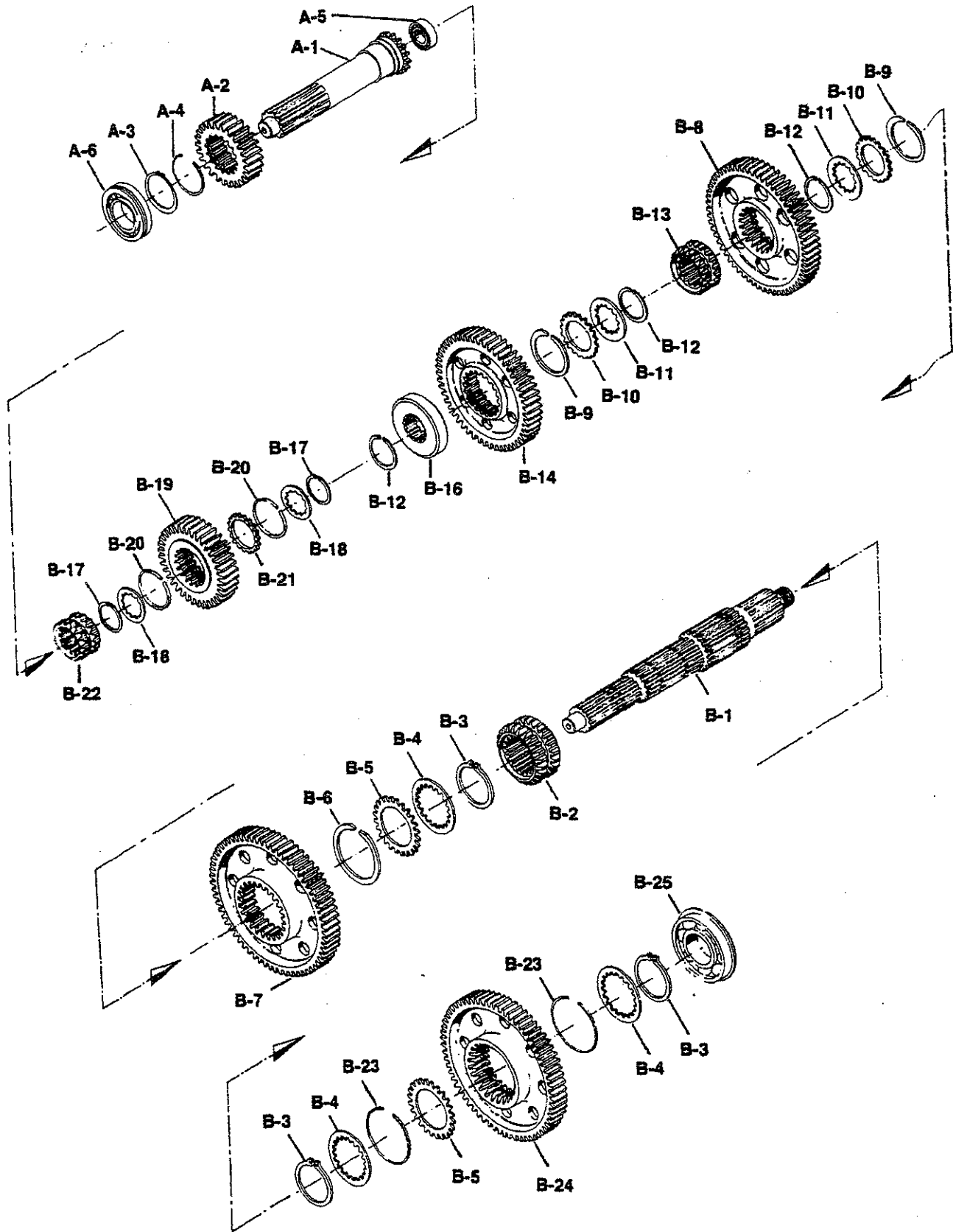
SERIAL

B/M No. MODEL

MODEL PS130

HDPS-0520-0599

GEARS and RELATED PARTS (Front Case)



MODEL PS130

GEARS and RELATED PARTS (Front Case)

HDPS-0520-0599

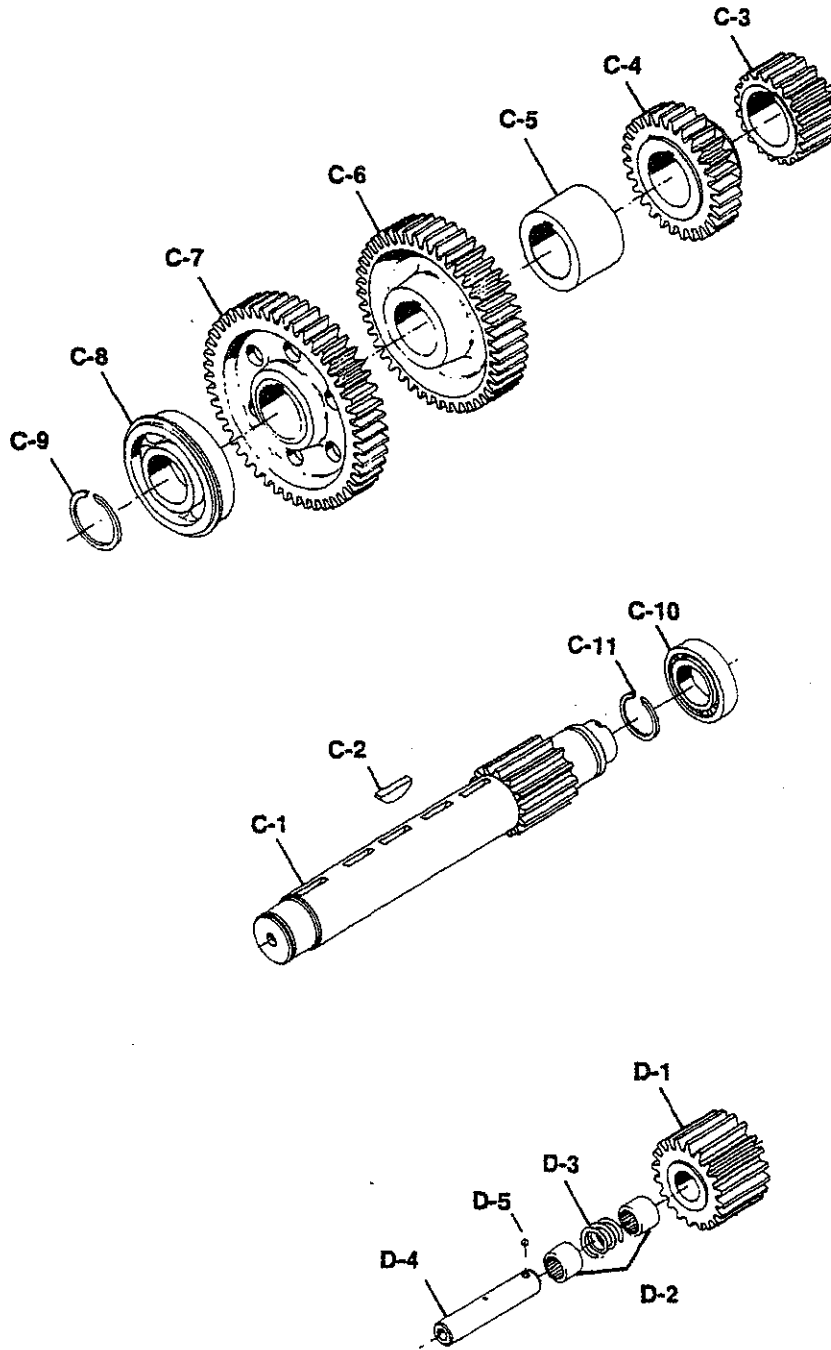
Ref. No.	Part Number	Part Description	Qty.
DRIVE GEAR GROUP			
A-1	97-35-54-2X	Drive Gear Input Shaft 2.00"-10 Spline #306 Pilot	1
A-2	97-35-51-1X	Drive Gear (26T)	1
A-3	70-381-6	Snap Ring (retainer)	1
A-4	97-381-2	Snap Ring	1
A-5	550946	Pocket Bearing	1
A-6	550944	Bearing	1
MAINSHAFT GROUP			
B-1	97-362-47	Mainshaft	1
B-2	97-465-24	Clutch Collar—1st and reverse	1
B-3	98-381-1	Snap Ring	3
B-4	330869	Thrust Washer—internal (18T)	3
B-5	330810	Thrust Washer—external (24T)	2
B-6	98-381-2	Snap Ring	1
B-7	97-8-113	1st Gear (64T)	1
B-8	97-8-123	2nd Gear (56T)	1
B-9	97-381-1	Snap Ring	2
B-10	330814	Thrust Washer—external (20T)	2
B-11	330730	Thrust Washer—internal (15T)	2
B-12	97-381-4	Snap Ring	3
B-13	97-465-21	Clutch Collar—2nd and 3rd	1
B-14	97-8-45	3rd Gear (46T)	1
B-16	97-37-20	Spacer—3rd gear thrust	1
B-17	97-381-35	Snap Ring	2
B-18	330735	Thrust Washer—internal (13T)	2
B-19	97-8-120	4th Gear (36T)	1
B-20	97-381-2	Snap Ring	2
B-21	330732	Thrust Washer—external (17T)	1
B-22	97-465-4	Clutch Collar, 4th Gear; Overdrive and Drive Gear	1
B-23	97-381-32	Snap Ring	2
B-24	97-8-182	Reverse Gear	1

PARTS LISTED IN THIS CATALOG MAY NO LONGER BE AVAILABLE. USE WITH TRANSMISSION SUPERSEDING LIST.

MODEL PS130

HDPS-0520-0599

GEARS and RELATED PARTS (Front Case)



MODEL PS130

GEARS and RELATED PARTS (Front Case)

HDPS-0520-0599

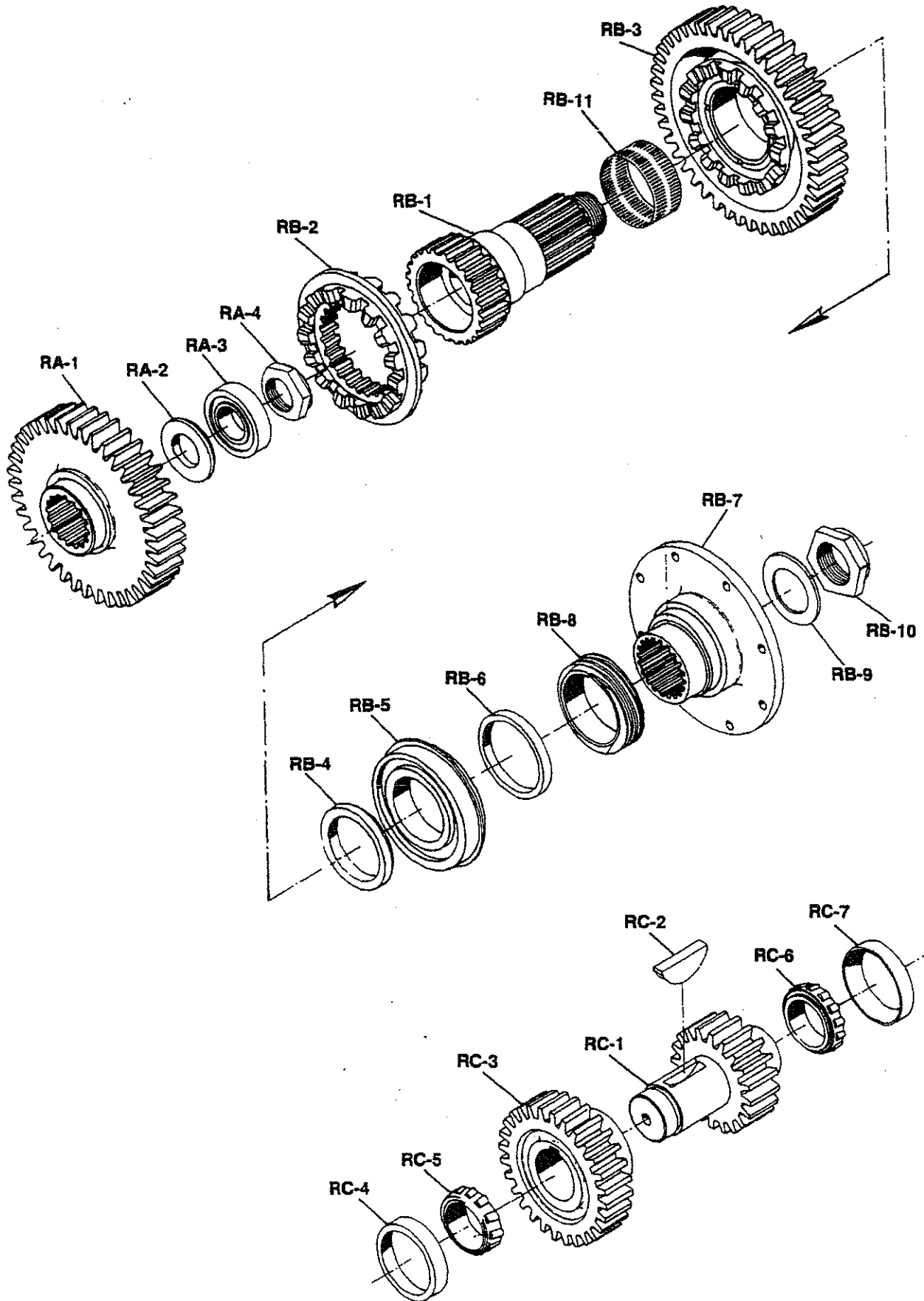
Ref. No.	Part Number	Part Description	Qty.
COUNTERSHAFT GROUP			
C-1	97-30-46	Countershaft (15T)	2
C-2	500010-8	Woodruff Key#29	10
C-3	97-196-17	2nd Gear (23T)	2
C-4	97-196-32	3rd Gear (32T)	2
C-5	97-37-21	Spacer—3rd and 4th gear	2
C-6	97-196-73	4th Gear (43T)	2
C-7	97-1-1	Drive Gear (Direct Drive) (52T)	2
C-8	550031	Bearing—front	2
C-9	97-381-30	Snap Ring	2
C-10	550969	Bearing—rear	2
C-11	97-381-34	Backing Ring	2
REVERSE IDLER GEAR GROUP			
D-1	97-5-1	Gear	2
D-2	550886	Bearing	4
D-3	97-37-1	Spacer	2
D-4	97-60-1	Shaft	2
D-5	500566-8	Lockball— $\frac{9}{32}$ " diameter	2

PARTS LISTED IN THIS CATALOG MAY NO LONGER BE AVAILABLE, USE WITH TRANSMISSION SUPERSEDING LIST.

MODEL PS130

HDPS-0520-0599

GEARS and RELATED PARTS (Rear Case)



MODEL PS130

GEARS and RELATED PARTS (Rear Case)

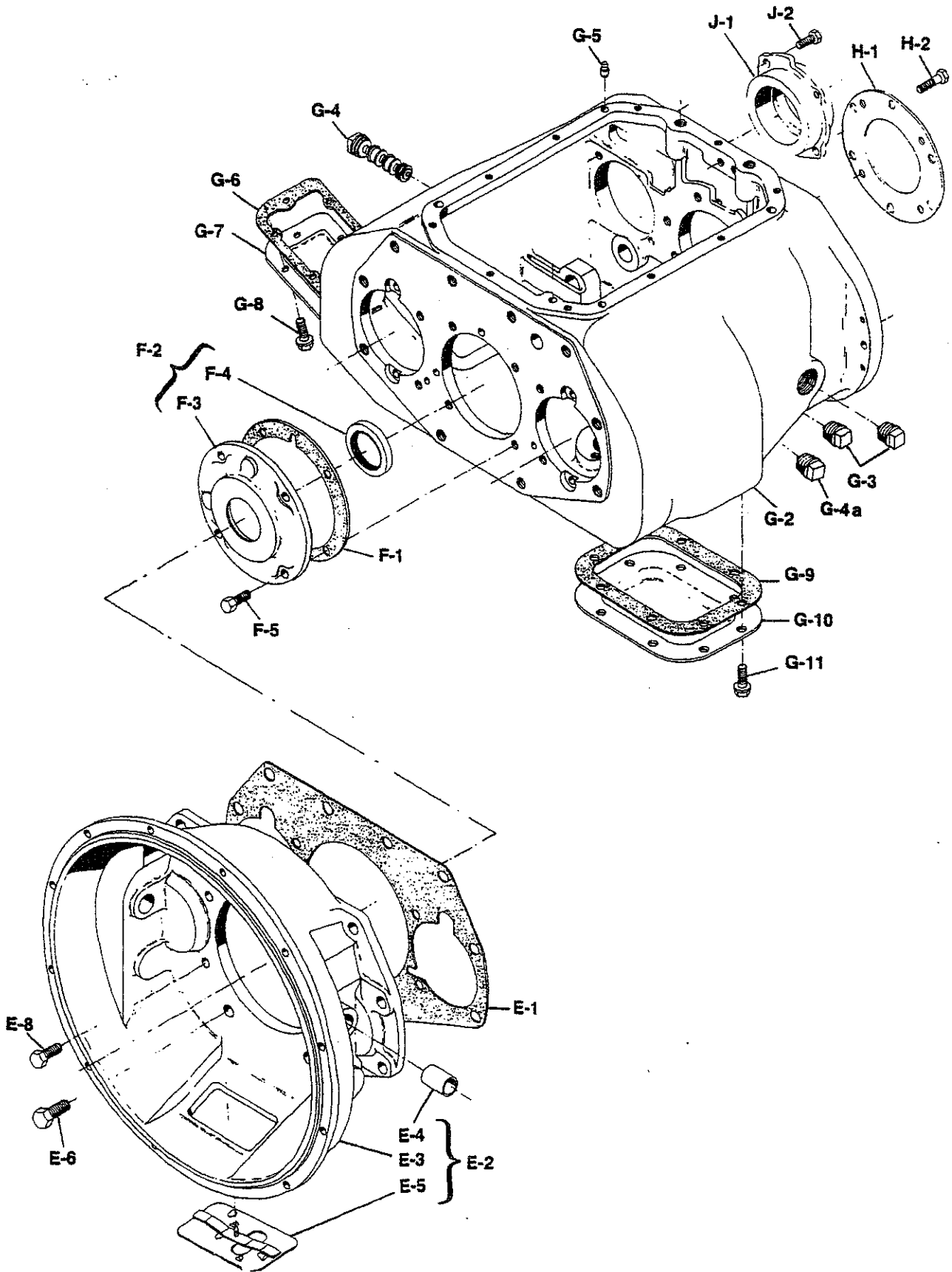
HDP5-0520-0599

Ref. No.	Part Number	Part Description	Qty.
		DRIVE GEAR GROUP	
RA-1	97-8-171	Drive Gear (34T)	1
RA-2	97-47-3	Thrust Washer	1
RA-3	550921	Pocket Bearing	1
RA-4	545006	Nut—1 $\frac{3}{8}$ "-18, self-locking	1
		MAINSHAFT GROUP	
RB-1	97-362-59	Mainshaft—output	1
RB-2	97-465-27	Clutch Collar—low gear	1
RB-3	97-8-180	Gear—50T (PS105-7LL, 9505-2A) Low	1
	97-8-221	Gear—42T (PS130-6L, 9505-2B) Low	1
RB-4	97-47-4	Thrust Washer—bearing	1
RB-5	550925	Bearing	1
RB-6	97-37-17	Bearing Spacer	1
RB-7	See Tab Bills	Flange or End Yoke	1
RB-8	See Tab Bills	Speedometer Drive Gear	1
RB-9	330734	Flat Washer	1
RB-10	545065	Nut—1 $\frac{3}{4}$ "-16, self-locking	1
RB-11	550932	Bearing—output gear needle	1
		COUNTERSHAFT GROUP	
RC-1		Countershaft	2
	97-30-54	(17T)—slotted for pump (PS105-7LL, 9505-2A)	
	97-30-52	(17T)—splined for P.T.O. (PS105-7LL, 9505-2A)	
	97-30-35	(24T)—slotted for pump (PS130-6L, 9505-2B)	
RC-2	500010-18	Woodruff Key #29	2
RC-3	97-1-37	Gear (33T)	2
RC-4	550899	Bearing—cup (front)	2
RC-5	550900	Bearing—cone (front)	2
RC-6	550936	Bearing—cone (rear)	2
RC-7	550935	Bearing—cup (rear)	2

PARTS LISTED IN THIS CATALOG MAY NO LONGER BE AVAILABLE, USE WITH TRANSMISSION SUPERSEDING LIST.

MODEL PS130

HDPS-0520-0599 FRONT CASE, BEARING CAP and RELATED PARTS



MODEL PS130

FRONT CASE, BEARING CAP and RELATED PARTS

HDPS-0520-0599

Ref. No.	Part Number	Part Description	Qty.
CLUTCH HOUSING GROUP			
E-1	97-352-1	Gasket	1
E-2	See Tab Bills	Clutch Housing Assembly	1
E-3	N.S.S.	Clutch Housing	1
E-4	128C-20	Bushing	4
E-5	97-96-18-1X	Hand Hole Cover Assembly	1
E-6	545008-3	Bolt— $\frac{5}{8}$ "-11 x $1\frac{3}{4}$ " hex head self-locking	10
E-8	545001	Bolt— $\frac{1}{2}$ "-13 x $1\frac{1}{4}$ " hex head self-locking	4
DRIVE GEAR BEARING CAP GROUP			
F-1	97-223-1	Gasket	1
F-2	See Tab Bills	Bearing Cap and Oil Seal Assembly	1
F-3	N.S.S.	Bearing Cap	1
F-4	97-463-32	Oil Seal	1
F-5	545002-4	Bolt— $\frac{3}{8}$ "-16 x $1\frac{1}{8}$ " hex head self-locking	4
FRONT CASE GROUP			
G-1	See Tab Bills	Case Assembly	1
G-2	N.S.S.	Case	1
G-3	62-39-3	Drain and Filler Plug—magnetic	2
G-4	97-39-1	Drain Plug—magnetic	1
G-4a	500114	Plug—temperature indicator hole	1
G-5	274-SP	Dowel Pin—for shifter housing	2
G-6	97-324-1	6 bolt P.T.O. Gasket	1
G-7	50-267-2	6 Bolt P.T.O. Cover	1
G-8	330800	Bolt— $\frac{3}{8}$ "-16 x $\frac{3}{4}$ " flanged head self-locking	6
G-9	97-324-2	8 Bolt P.T.O. Gasket	1
G-10	73-267-1	8 Bolt P.T.O. Cover	1
G-11	545012	Bolt— $\frac{7}{16}$ "-14 x $\frac{3}{4}$ " flanged head self-locking	8
MAINSHAFT REAR BEARING RETAINER			
H-1	97-360-8	Retainer	1
H-2	545001-5	Bolt— $\frac{1}{2}$ "-13 x $1\frac{1}{4}$ " flanged head self-locking	6
COUNTERSHAFT REAR BEARING RETAINER			
J-1	97-360-6	Retainer	2
J-2	545002	Bolt— $\frac{3}{8}$ "-16 x 1" hex head self-locking	4

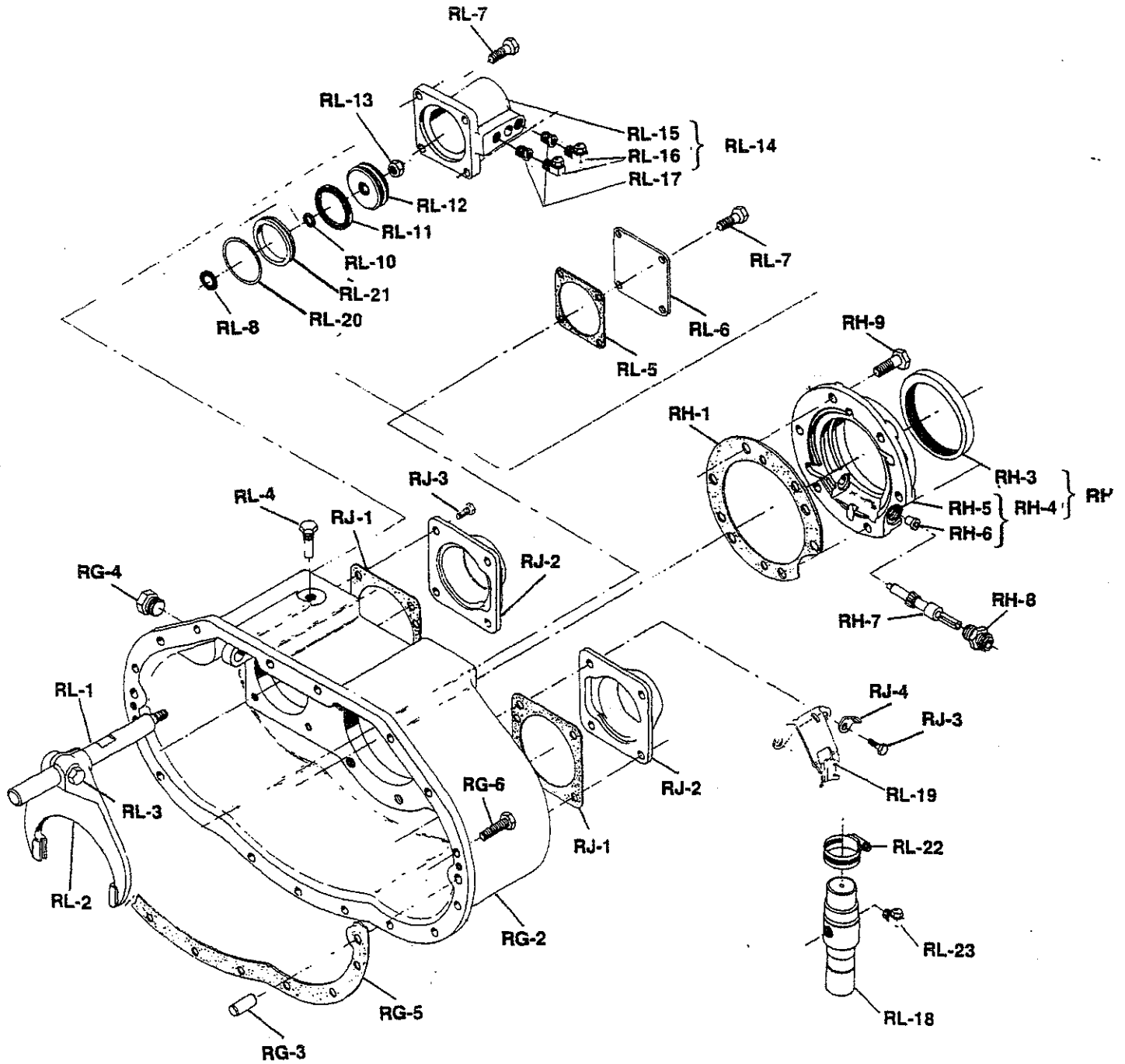
N.S.S. — Not Sold Separately

PARTS LISTED IN THIS CATALOG MAY NO LONGER BE AVAILABLE, USE WITH TRANSMISSION SUPERSEDING LIST.

MODEL PS130

HDPS-0520-0599

REAR CASE, BEARING CAP and RELATED PARTS



MODEL PS130

REAR CASE, BEARING CAP and RELATED PARTS

HDPS-0520-0599

Ref. No.	Part Number	Part Description	Qty.
REAR CASE GROUP			
RG-1	See Tab Bills	Case Assembly	1
RG-2	N.S.S.	Case	1
N.S.	NP-96	Nameplate	1
N.S.	252-SP	Pins—nameplate	4
RG-3	500043-15	Dowel Pins—locate rear case to front case	2
RG-4	545060	Neutral Switch Plug	1
RG-5	97-155-11	Gasket—rear case to front case	1
RG-6	545002-4	Bolt— $\frac{3}{8}$ "-16 x $1\frac{1}{8}$ " hex head self-locking	17
MAINSHAFT REAR BEARING CAP GROUP— For Electronic Speedometer			
RH-1	97-19-51-1X	Bearing Cap, Seal, Bushing and Gasket Assembly	1
RH-2	N.S.S.	Bearing Cap	1
RH-3	97-463-33	Oil Seal	1
RH-4	60-475-1	Speedometer Bushing	1
RH-5	55-334-1	Plug—outlet (used without speedometer gear)	1
RH-6	97-223-2	Gasket	1
N.S.	545021	Plug—electronic speed/cruise control	2
RH-7	See Tab Bills	Gear—speedometer drive	1
RH-8	55-454-1	Sleeve—speedometer drive gear	1
RH-9	545001-4 and 545001-8	Bolt— $\frac{1}{2}$ "-13 x $1\frac{1}{2}$ " hex head self-locking	4
		Bolt— $\frac{1}{2}$ "-13 x $2\frac{1}{2}$ " hex head self-locking	2
COUNTERSHAFT REAR BEARING CAP GROUP			
RJ-1	97-223-23	Gasket	2
RJ-2	97-22-23	Bearing Cap	2
RJ-3	545015	Bolt— $\frac{3}{8}$ "-16 x $1\frac{5}{16}$ " flanged head self-locking	8
RJ-4	330564-1	Lift Hook	2
AIR SHIFT CONTROL			
RL-1	97-65-45	Range Piston Rod	1
RL-2	97-66-118	Shift Fork	1
RL-3	545119	Bolt— $\frac{7}{16}$ "-20 x $1\frac{3}{4}$ " hex head self-locking	1
RL-4	59-3	Stop Pin and Plug	1
RL-5	97-223-8	Gasket—cover	1
RL-6	97-96-24	Cover	1
RL-7	545002	Bolt— $\frac{3}{8}$ "-16 x 1" hex head self-locking	8
RL-8	97-463-5	"O" Ring—piston rod	1
RL-10	183-463-6	"O" Ring—piston rod to piston	1
RL-11	97-463-4	"O" Ring—piston	1
RL-12	97-136-14	Piston	1
RL-13	545045-1	Nut— $\frac{7}{16}$ "-20 self-locking	1
RL-14	97-501-26-6X	Piston Housing Assembly	1
RL-15	97-501-26	Piston Housing	1
RL-16	545025-2	Elbow—air fitting	2
RL-17	330944	Reducer Bushing	2
RL-18	313406	Filter Regulator	1
RL-19	97-411-19	Bracket—filter regulator	1
RL-20	97-463-38	Ring—quad	1
RL-21	97-37-32	Sleeve—piston housing pilot	1
RL-22	330831	Clamp	1
RL-23	545025-2	Elbow—air fitting	1

N.S. — Not Shown

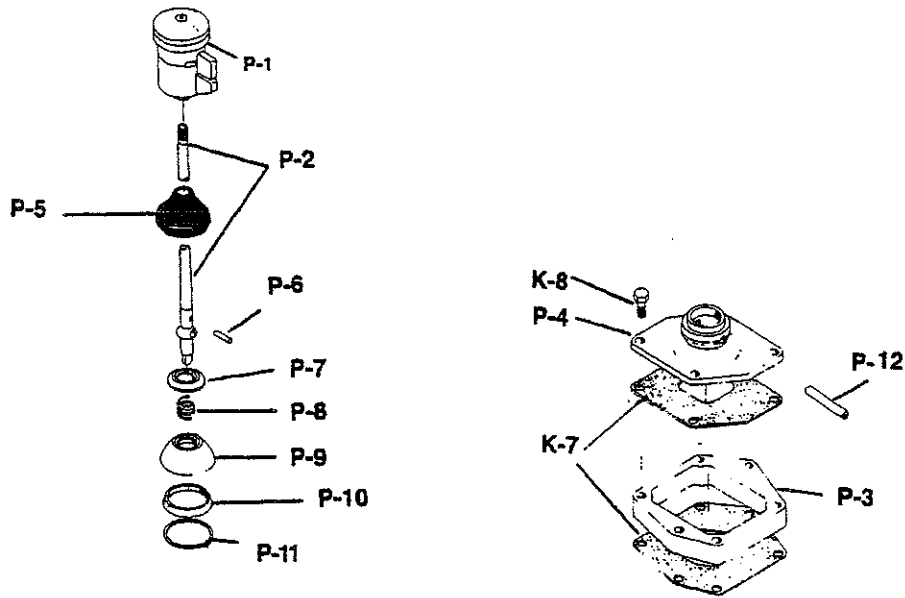
N.S.S. — Not Sold Separately

PARTS LISTED IN THIS CATALOG MAY NO LONGER BE AVAILABLE, USE WITH TRANSMISSION SUPERSEDING LIST.

MODEL PS130

HDPS-0520-0599

SHIFT LEVER and DOME ASSEMBLY

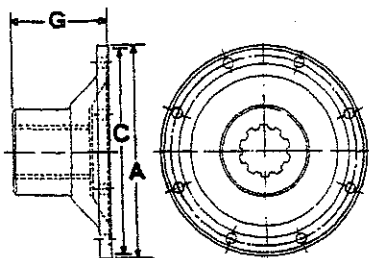


Ref. No.	Part Number	Part Description	Assembly No.	85-16-37-8X	95-16-37-17X	312820-1X	312837X	97-16-27-24X
	See Tab Bills	SHIFT LEVER and DOME ASSEMBLY						
P-1	313181	Splitter and Range Control Air Valve		1	1	1	1	1
P-2	25Q-1106	Shift Lever—length 28½" straight		1	1	1	1	1
	25Q-1223	Shift Lever—length 35½" straight				1		
	25Q-1570	Shift Lever—length 33" straight			1			1
	25Q-2566	Shift Lever—length 27¾" straight		1				
P-3	85-37-9	Spacer—dome to shifter housing		1				
K-7	97-155-12	Gasket—center (6 holes)		2	1			
K-8	545028-6	Bolt—7/16"-14 x 1 1/8" hex head self-locking		4				
	82-16-19X	Dome Assembly—(Center) (thru P-4 includes P-12)				1	1	
	85-16-37X	Dome Assembly—(Center) (thru P-4 includes P-12)		1	1			
	97-16-27X	Dome Assembly—(Forward) (thru P-4 includes P-12)						1
P-4	82-16-19	Dome—shift lever (2 5/32" height)				1	1	
	85-16-37	Dome—shift lever (3 5/32" height)		1	1			
	97-16-27	Dome—shift lever (3 5/8" height)						1
P-5	55Q-5	Grommet—shift lever		1	1	1	1	1
P-6	286-SP	Pin—shift lever collar		1	1	1	1	1
P-7	55Q-7	Collar—compression		1	1	1	1	1
P-8	56Q-25	Spring—compression		1	1	1	1	1
P-9	54Q-13	Cap—compression		1	1	1	1	1
P-10	69Q-6	Washer—friction		1	1	1	1	1
P-11	62-381-7	Snap Ring—rock shaft		1	1	1	1	1
P-12	53Q-15	Shaft—shift lever rock		1	1	1	1	1
		PARTS LISTED BELOW ARE NOT INCLUDED IN ASSEMBLY						
K-7	97-155-12	Gasket—dome to shifter housing (6 holes)				1	1	
or	97-155-13	Gasket—dome to shifter housing (4 holes)						1
K-8	545028-6	Bolt—7/16"-14 x 1 1/8" hex head self-locking				4	4	4

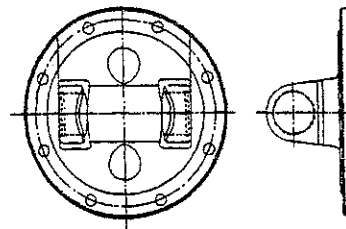
MODEL PS130

COMPANION FLANGES and END YOKES

HDPS-0520-0599



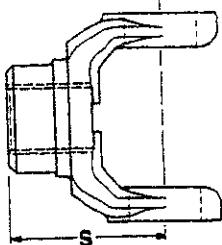
COMPANION FLANGE



FLANGE YOKE

Companion Flanges and Flange Yokes

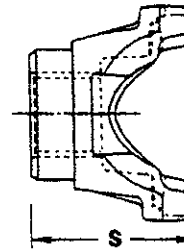
A Joint Series	Flange Diameter	Companion Flange Assembly	Companion Flange	G to Flange Face Length	C Pilot Diameter F-Female M-Male	Mates With	
						Flange Yoke	Series
1710	8"	—	6-1-4881	3"	F-7 ³ / ₄ "	6-2-749	1710
1710	8"	—	6-1-4571	3"	F-7 ³ / ₄ "	6-2-749	1710
1810	8"	—	6.5-1-1981	3"	F-7 ³ / ₄ "	6.5-2-329	1810
1810	8"	—	6.5-1-1991	3"	F-7 ³ / ₄ "	6.5-2-329	1810
1810	8"	—	6.5-1-2151	2 ³ / ₄ "	F-7 ³ / ₄ "	6.5-2-329	1810



FULL ROUND



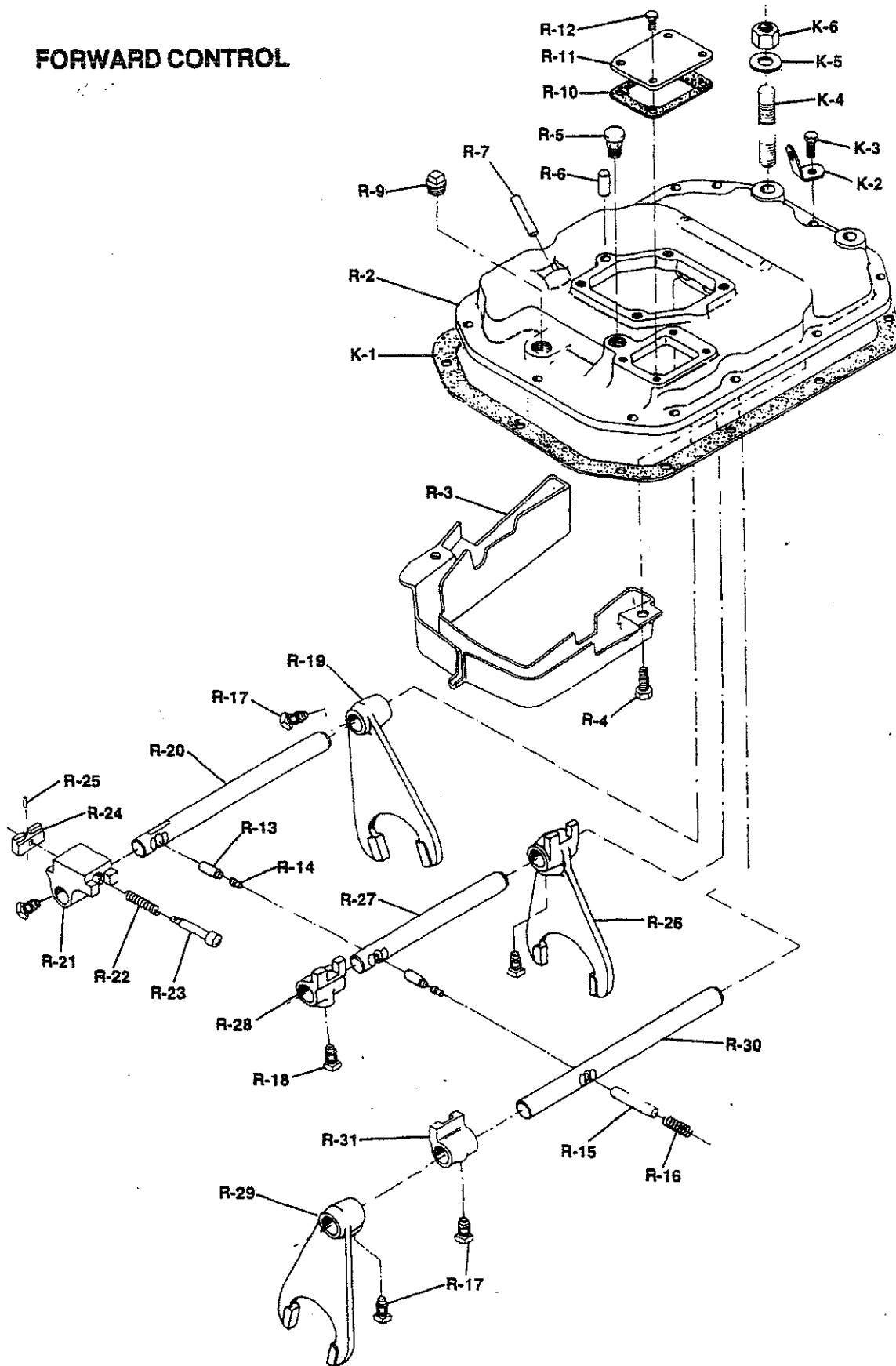
U-BOLT—BRG. STRAP—HALF ROUND



Series	Yoke Style	End Yoke Part Number	S End of Hub To Center Line Length	Momentary Joint Angle	Brake Size
1610	Half Round	5-4-65-31	5 ¹ / ₁₆ "	21 ¹ / ₂ °	—
1710	Full Round	6-4-5351	5 ³ / ₁₆ "	21°	—
1710	Half Round	6-4-5351-1	5 ³ / ₁₆ "	21°	—
1710	Full Round	6-4-7691	5 ³ / ₁₆ "	20°	—
1710	Half Round	6-4-7691-1	5 ³ / ₁₆ "	20°	—
1760	Full Round	6.3-4-41	5 ⁹ / ₁₆ "	30°	—
1760	Half Round	6.3-4-41-1	5 ⁹ / ₁₆ "	30°	—
1760	Full Round	6.3-4-1251	5 ⁹ / ₁₆ "	30°	—
1760	Half Round	6.3-4-1251-1	5 ⁹ / ₁₆ "	30°	—
1810	Full Round	6.5-4-3021	5 ⁹ / ₁₆ "	30°	—
1810	Full Round	6.5-4-3821	5 ⁹ / ₁₆ "	30°	—
1810	Half Round	6.5-4-3821-1	5 ⁹ / ₁₆ "	30°	—

MODEL PS130 SHIFTER HOUSING ASSEMBLY

FORWARD CONTROL



MODEL PS130

FORWARD SHIFTER HOUSING ASSEMBLY

HDPS-0520-0599

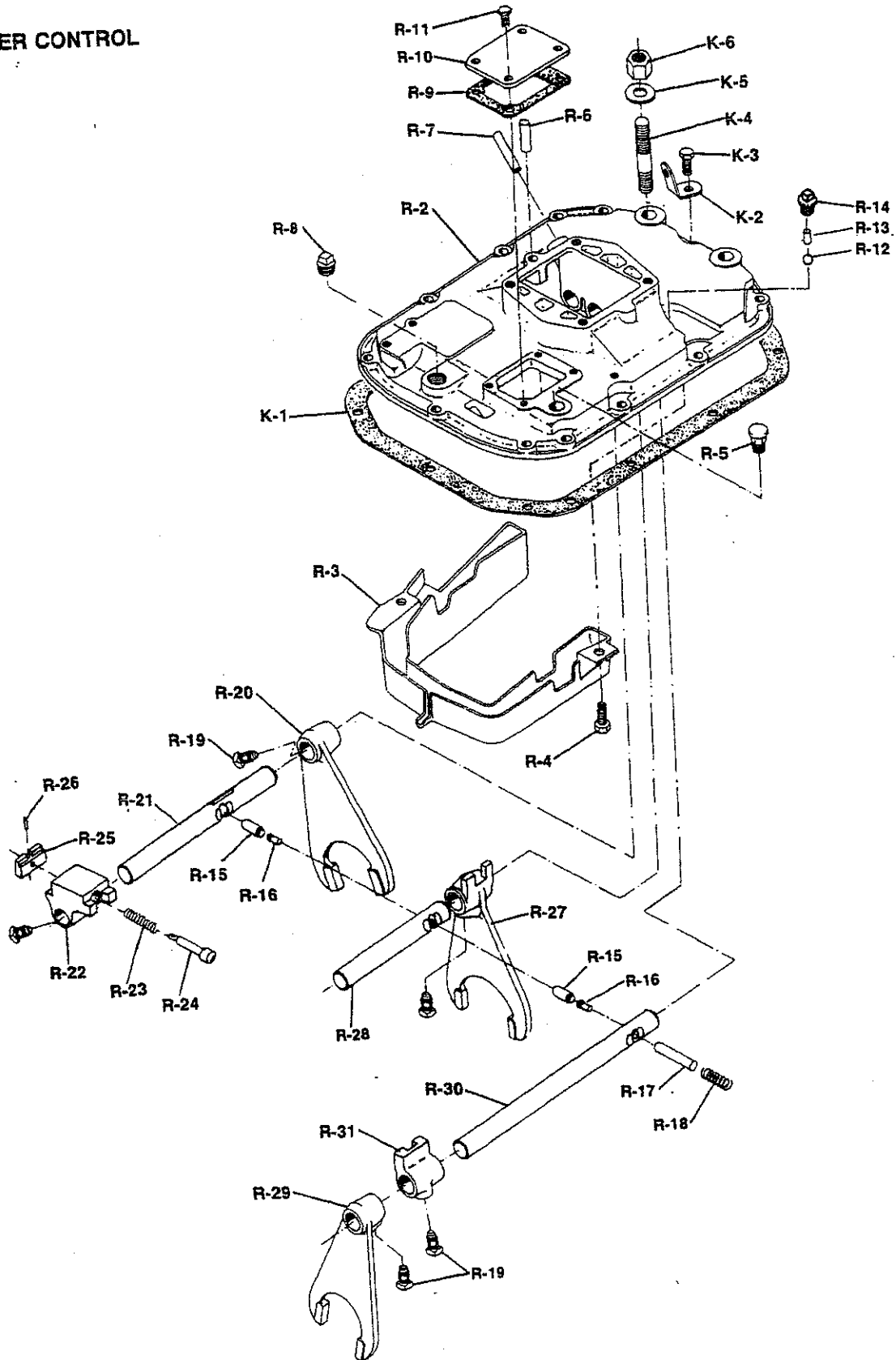
Ref. No.	Part Number	Part Description	Assembly No.	
			97-16-81-5X	97-16-90-5X
	See Tab Bills	SHIFTER HOUSING ASSEMBLY	1	1
R-1	97-16-81-1X	Shifter Housing and Oil Trough Assembly	1	—
	97-16-90-3X	Shifter Housing and Oil Trough Assembly	—	1
R-2	N.S.S.	Shifter Housing	1	1
R-3	330918	Oil Trough	1	1
R-4	330800	Bolt— $\frac{3}{8}$ " -16 x $\frac{3}{4}$ " flanged head self locking ..	3	3
R-5	312268	Breather	1	1
R-6	545010	Blocker Pin	1	1
R-7	330739-1	Pin—backup lite	1	1
R-9	500114	Plug—oil return hole	1	1
R-10	97-223-4	Gasket—aperture cover	1	—
R-11	97-96-2	Aperture Cover	1	—
R-12	545005-1	Bolt— $\frac{5}{16}$ " -18 x $\frac{5}{8}$ " hex head self locking	4	—
		For All Shift Forks and Rods		
R-13	97-12-2	Poppet-interlock	2	2
R-14	97-438-19	Poppet-interlock pin	2	2
R-15	97-12-3	Pin-poppet plunger	1	1
R-16	97-72-29	Spring-shift rod poppet interlock	1	1
R-17	545063	Bolt— $\frac{7}{16}$ " -20 x $\frac{13}{16}$ " self locking, square head ..	5	5
R-18	545072	Screw-2nd & 3rd Shift Bracket	1	1
		First and Reverse Shift Fork and Rod Group		
R-19	97-66-53	Shift Fork	1	1
R-20	97-67-234	Shift Rod	1	1
R-21	97-354-11	Shift Rod Bracket	1	1
R-22	97-72-2	Spring-plunger	1	1
R-23	97-438-1	Plunger	1	1
R-24	330736	Block—shift rod bracket	1	1
R-25	500593-6	Pin-plunger	1	1
		Second and Third Shift Fork and Rod Group		
R-26	97-66-23	Shift Fork	1	1
R-27	97-67-259	Shift Rod	1	1
R-28	97-354-27	Shift Rod Bracket	1	—
		Fourth and Fifth Shift Fork and Rod Group		
R-29	97-66-5	Shift Fork	1	1
R-30	97-67-286	Shift Rod	1	1
R-31	97-354-6	Shift Rod Bracket	1	1
		Parts listed below are not included in assembly		
K-1	97-155-13	Gasket—shifter housing to case	1	1
K-2	330564-1	Lift Hooks	4	4
K-3	545002-4	Bolt— $\frac{3}{8}$ " -16 x $1\frac{1}{8}$ " hex head self locking	10	10
K-4	330360-18	Stud $\frac{5}{8}$ " -11 & $\frac{5}{8}$ " -18 x 4"	2	2
K-5	500365-43	Flat Washer— $\frac{5}{8}$ "	2	2
K-6	500371-7	Nut— $\frac{5}{8}$ " -18	2	2

N.S.S. — Not Sold Separately

PARTS LISTED IN THIS CATALOG MAY NO LONGER BE AVAILABLE, USE WITH TRANSMISSION SUPERSEDING LIST.

MODEL PS130 SHIFTER HOUSING ASSEMBLY

CENTER CONTROL



MODEL PS130

CENTER SHIFTER HOUSING ASSEMBLY

HDP5-0520-0599

Ref. No.	Part Number	Part Description	Assembly No.	97-16-89-6X	97-16-79-5X
	See Tab Bills	SHIFTER HOUSING ASSEMBLY		1	1
R-1	97-16-89-1X	Shifter Housing and Oil Trough Assembly		1	—
	97-16-79-1X	Shifter Housing and Oil Trough Assembly		—	1
R-2	N.S.S.	Shifter Housing		1	1
R-3	330918	Oil Trough		1	1
R-4	330800	Bolt— $\frac{3}{8}$ " -16 x $\frac{3}{4}$ " flanged head self locking		3	3
R-5	312268	Breather		1	1
R-6	545000	Blocker Pin		1	1
R-7	330739-1	Pin—backup lite		1	1
R-8	500114	Plug—oil return hole		1	1
R-9	97-223-4	Gasket—aperture cover		—	1
R-10	97-96-2	Aperture Cover		—	1
R-11	545005-1	Bolt— $\frac{5}{16}$ " -18 x $\frac{5}{8}$ " hex head self locking		—	4
R-12	50-80-4	Ball—neutral safety switch		1	—
R-13	97-438-22	Plunger—neutral safety switch		1	—
R-14	545021	Plug—neutral safety switch		1	—
		For All Shift Forks and Rods			
R-15	97-12-2	Poppet-interlock		2	2
R-16	97-438-19	Poppet-interlock pin		2	2
R-17	97-12-3	Pin-poppet plunger		—	1
R-18	97-72-29	Spring-shift rod poppet interlock		1	1
R-19	545063	Bolt— $\frac{7}{16}$ " -20 x $\frac{13}{16}$ " self locking, square head		5	5
		First and Reverse Shift Fork and Rod Group			
R-20	97-66-53	Shift Fork		1	1
R-21	97-67-230	Shift Rod		1	1
R-22	97-354-11	Shift Rod Bracket		1	1
R-23	97-72-2	Spring-plunger		1	1
R-24	97-438-1	Plunger		1	1
R-25	330736	Block—shift rod bracket		1	1
R-26	500593-6	Pin-plunger		1	1
		Second and Third Shift Fork and Rod Group			
R-27	97-66-23	Shift Fork		1	1
R-28	97-67-256	Shift Rod		1	1
		Fourth and Fifth Shift Fork and Rod Group			
R-29	97-66-5	Shift Fork		1	1
R-30	97-67-285	Shift Rod		1	1
R-31	97-354-6	Shift Rod Bracket		1	1
		Parts listed below are not included in assembly			
K-1	97-155-12	Gasket—shifter housing to case		1	1
K-2	330564-1	Lift Hooks		4	4
K-3	545002-4	Bolt— $\frac{3}{8}$ " -16 x $\frac{11}{8}$ " hex head self locking		10	10
K-4	330360-18	Stud $\frac{5}{8}$ " -11 & $\frac{5}{8}$ " -18 x 4"		2	2
K-5	500365-43	Flat Washer— $\frac{5}{8}$ "		2	2
K-6	500371-7	Nut— $\frac{5}{8}$ " -18		2	2

N.S.S. — Not Sold Separately

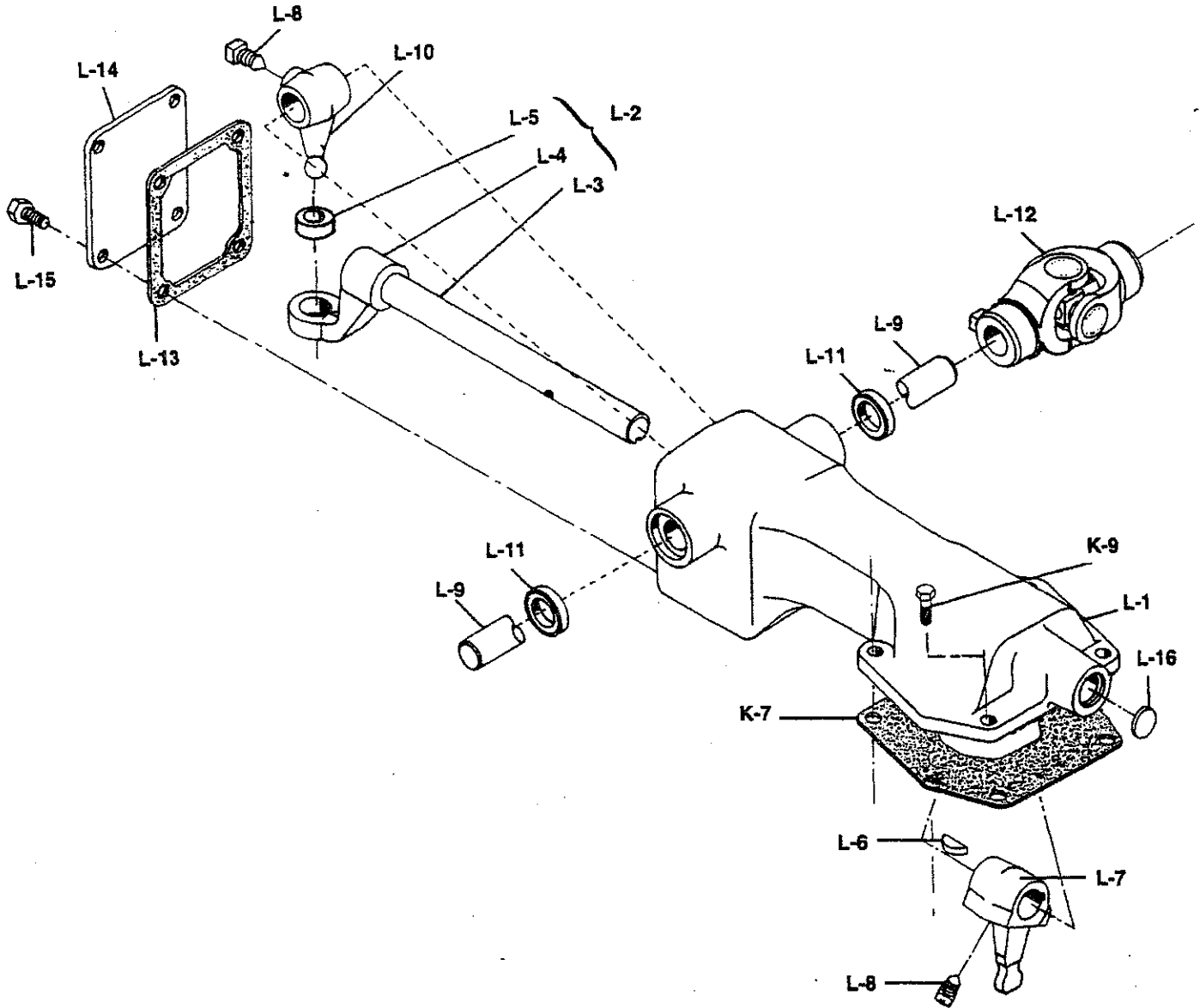
PARTS LISTED IN THIS CATALOG MAY NO LONGER BE AVAILABLE, USE WITH TRANSMISSION SUPERSEDING LIST.

MODEL PS130

REMOTE CONTROL ASSEMBLY

HIGH ROD TYPE

HDPS-0520-0599



MODEL PS130

REMOTE CONTROL ASSEMBLY

HDP5-0520-0599

Ref. No.	Part Number	Part Description	Assembly No.	8049X	97-18-4-2X	97-18-6-2X	73-16-3-1X	312752-2X	85-16-42-2X	311890-1X	97-18-3-2X
	See Tab Bills	COVER & JOINT ASSEMBLY—									
		REMOTE CONTROL		1	1	1	1	1	1	1	1
	311866X	Cover Assembly		1							
	312755X	Cover Assembly						1			
	311914X	Cover Assembly					1			1	
	97-18-16-1X	Cover Assembly				1					
	85-16-42-1X	Cover Assembly									
		(Rotated 180 Degrees and Welded)							1		
	97-18-3-1X	Cover Assembly									1
	97-18-4-1X	Cover Assembly			1						
L-1	N.S.S.	Remote Control Cover		1	1	1	1	1	1	1	1
N.S.	82-24-3	Bushing—remote control cover		4	4	4	4	4	4	4	4
L-2	8039X	Shift Finger Rod and Bracket Assembly		1							
	31188X	Shift Finger Rod and Bracket Assembly					1			1	
	312754X	Shift Finger Rod and Bracket Assembly						1			
	97-65-39-1X	Shift Finger Rod and Bracket Assembly			1						
	97-65-41-1X	Shift Finger Rod and Bracket Assembly				1					
	85-65-11-1X	Shift Finger Rod and Bracket Assembly							1		
	97-65-32-1X	Shift Finger Rod and Bracket Assembly									1
L-3	N.S.S.	Rod—shift finger		1	1	1	1	1	1	1	1
L-4	N.S.S.	Bracket—shift finger		1	1	1	1	1	1	1	1
L-5	85-24-4	Bushing—shift bracket		1	1	1	1	1	1	1	1
L-6	500007-19	Woodruff Key #11		1	1	1	1	1	1	1	1
L-7	82-6-9	Finger—inner shift		1	1	1	1	1	1	1	1
L-8	545063	Bolt—7/16" — 20 x 13/16" hex head self-locking		2	2	2	2	2	2	2	2
L-9	82-65-5	Rod—remote control		1	1	1	1		1	1	1
	82-65-22	Rod—remote control						1			
L-10	82-6-7	Finger—outer shaft		1	1	1	1	1	1	1	1
L-11	28P-19	Seal—remote control shift rod		2	2	2	2	2	2	2	2
L-12	10380-SF	U-Joint Assembly—control rod		1				1	1	1	1
	904388	U-Joint Assembly—control rod			1	1	1				
L-13	82-118-1	Gasket—aperture cover		1	1	1	1	1	1	1	1
L-14	82-96-1	Aperture Cover		1	1	1	1	1	1	1	1
L-15	545005-1	Bolt—5/16" — 18 x 5/8" hex head self-locking		4	4	4	4	4	4	4	4
L-16	500166-16	Expansion Plug—1-1/16"		1	1	1	1	1	1	1	1
N.S.	311903X	Boot Kit—remote control		1	1		1	1		1	
N.S.	82-483-1	Boot—standard		1	1		1	1		1	
N.S.	82-483-2	Boot—cup type		1	1		1	1		1	
N.S.	LW-3-9	Lockwire #18-M Gage (19" Long)		3	3		3	3		3	
N.S.	313259	Valve—road speed governor control			1	1					
		PARTS LISTED BELOW ARE NOT INCLUDED									
		IN ASSEMBLY									
K-7	97-155-12	Gasket—remote control cover		1	1	1	1	1	1	1	1
K-9	545028-4	Bolt 7/16" — 14 x 1-1/8" hex head self-locking		6	6	6	6	6	6	6	6

N.S.—Not Shown
N.S.S.—Not Sold Separately

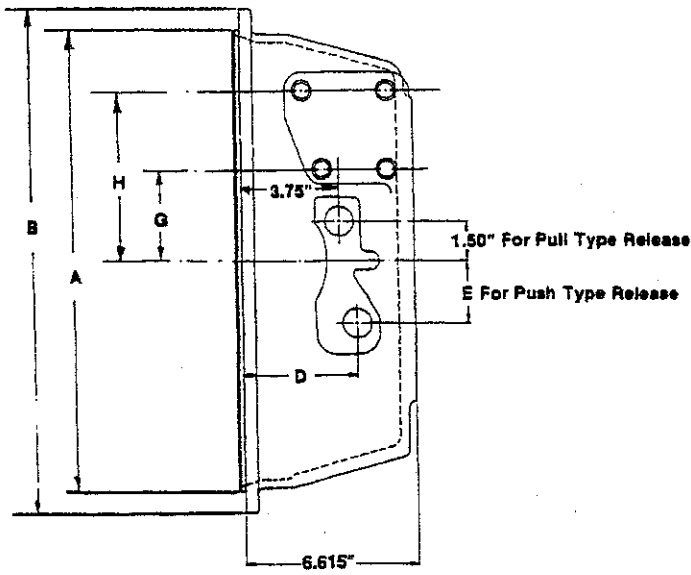
PARTS LISTED IN THIS CATALOG MAY NO LONGER BE AVAILABLE, USE WITH TRANSMISSION SUPERSEDING LIST.

MODEL PS130

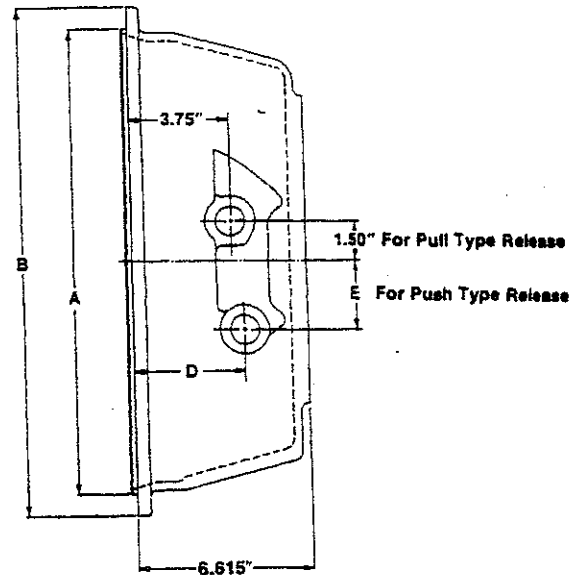
CLUTCH HOUSING DIMENSIONS

HDPS-0520-0599

Size No.	A Pilot Dia.	B O.D.
1	20 $\frac{1}{8}$ "	21 $\frac{3}{4}$ "
2	17 $\frac{5}{8}$ "	19 $\frac{1}{4}$ "
3	16 $\frac{1}{8}$ "	17 $\frac{3}{4}$ "



NODAL MOUNT



STANDARD MOUNT

Part No.	Casting No.	Material	SAE #	D Lower Hole Dim. Face To Center Hole	E Below Center	G Above Center	H Above Center
312795X	C97-518-4	Iron	2	4.187"	2.625"	—	—
312961X	C97-518-13-1	Iron	1	3.750"	1.500"	4.00"	8.50"
97-518-14-1X	C97-518-7	Iron	2	4.375"	2.375"	3.50"	6.50"
97-518-15-1X	C97-518-2	Iron	1	4.187"	2.625"	—	—
97-518-18-1X	C97-518-17	Alum.	2	4.187"	2.625"	—	—
97-518-25-1X	C97-518-13-1	Iron	1	3.750"	1.500"	4.00"	8.50"
97-518-31-1X	C97-518-29	Alum.	1	3.750"	1.500"	4.00"	8.50"
97-518-49-1X	C97-518-7	Iron	2	3.750"	2.375"	3.50"	6.50"

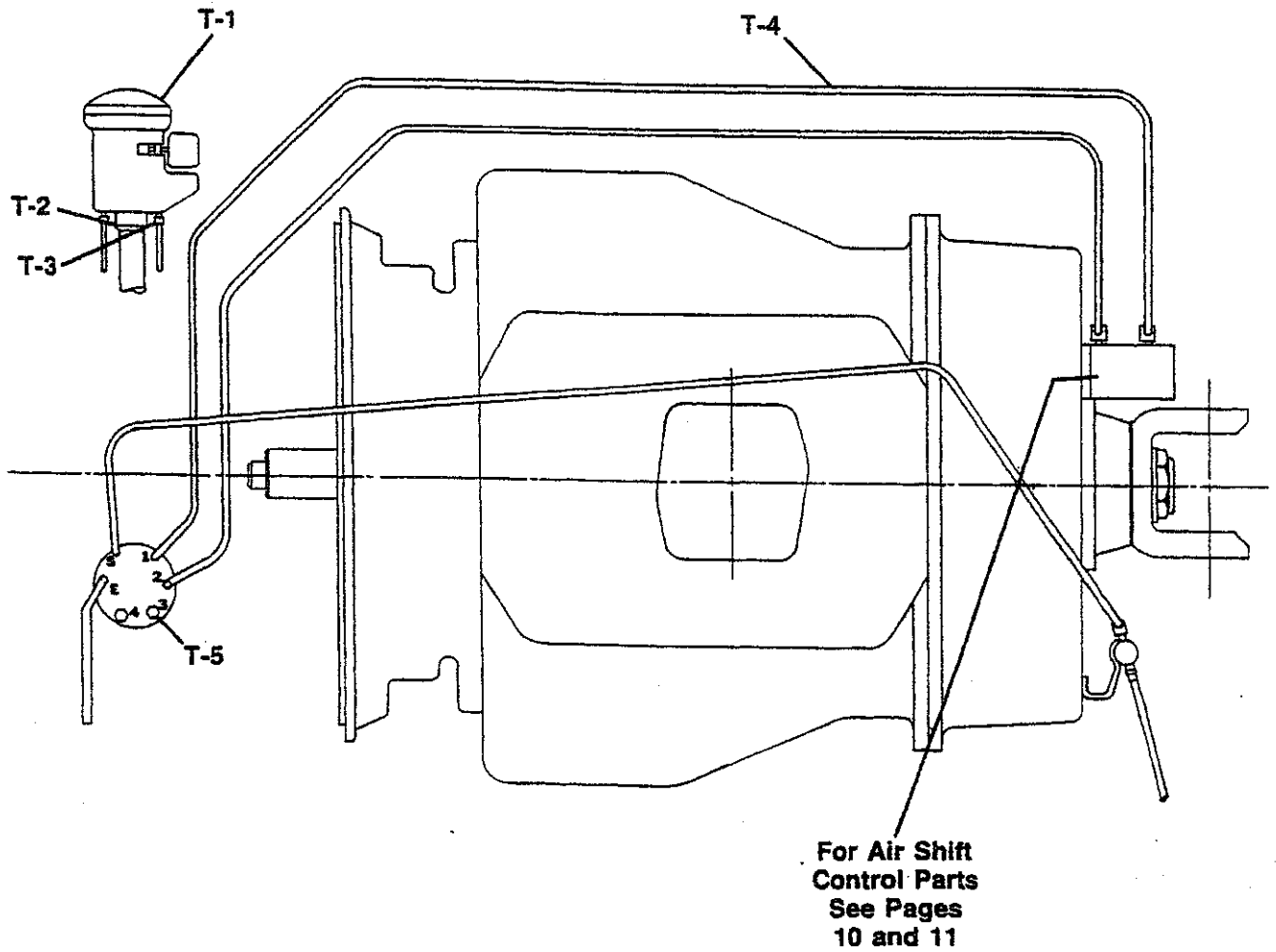
PARTS LISTED IN THIS CATALOG MAY NO LONGER BE AVAILABLE, USE WITH TRANSMISSION SUPERSEDING LIST.

MODEL PS130

DIRECT AIR CONTROL PIPING DIAGRAM and PARTS

HDPS-0520-0599

Ref. No.	Part Number	Part Description	Qty.
	313595X	DIRECT AIR CONTROL KIT	1
T-1	313181	Valve—air splitter control	1
T-2	500803	Jam Nut—shift lever	1
T-3	312526	Line Connector—valve and air	4
T-4	85-420-1	Tubing—air line	1
N.S.	330717	Zip Slider	1
N.S.	330716-1	Protective Cover for Tubing	1
T-5	500131-3	Plug—valve housing	2



N.S.—Not Shown

MODEL PS130

HDPS-0520-0599

CLUTCH RELEASE CODE TABLE

Rel.Code See Tab Bill	CR-7 Yoke *	Shaft		CR-6 Pedal Adjusting Arm	Rel.Code See Tab Bill	CR-7 Yoke *	Shaft		CR-6 Pedal Adjusting Arm
		CR-1 Short	CR-2 Long				CR-1 Short	CR-2 Long	
1	105C-64	106C-1142	106C-1047	310233X	58	105C-137	106C-1141	106C-1169	310233X
2	105C-64	106C-1185	106C-438	—	59	105C-137	106C-1185	106C-438	—
3	105C-64	106C-1185	106C-939	310233X	60	105C-137	106C-1185	106C-617	310233X
4	105C-64	106C-1185	106C-1046	310233X	61	105C-137	106C-1185	106C-839	310233X
5	105C-64	106C-1185	106C-1047	310233X	62	105C-137	106C-1185	106C-939	310233X
6	105C-64	106C-1185	106C-1047	47-526-1-1X	63	105C-137	106C-1185	106C-939	310473X
7	105C-64	106C-1544	106C-839	310233X	64	105C-137	106C-1185	106C-953	310473X
					65	105C-137	106C-1185	106C-1046	310233X
8	105C-68	106C-1142	106C-438	—	66	105C-137	106C-1185	106C-1046	310473X
9	105C-68	106C-1142	106C-617	—	67	105C-137	106C-1185	106C-1047	310233X
10	105C-68	106C-1142	106C-617	310233X	68	105C-137	106C-1185	106C-1083	310233X
11	105C-68	106C-1142	106C-839	310233X	69	105C-137	106C-1185	106C-1094	—
12	105C-68	106C-1142	106C-939	310233X	70	105C-137	106C-1185	106C-1094	310233X
13	105C-68	106C-1142	106C-1046	310233X	71	105C-137	106C-1185	106C-1123	—
14	105C-68	106C-1142	106C-1047	310233X	72	105C-137	106C-1185	106C-1123	310233X
15	105C-68	106C-1278	106C-438	—	73	105C-137	106C-1185	106C-1367	—
					74	105C-137	106C-1185	106C-1367	310233X
16	105C-117	106C-1071	106C-939	310233X	75	105C-137	106C-1185	106C-1375	310873X
17	105C-117	106C-1071	106C-1094	310233X	76	105C-137	106C-1185	106C-1515	—
18	105C-117	106C-1142	106C-939	310233X	77	105C-137	106C-1185	106C-1529	—
19	105C-117	106C-1185	106C-438	—	78	105C-137	106C-1185	330610-5	—
20	105C-117	106C-1185	106C-617	310233X	79	105C-137	106C-1216	106C-617	310233X
21	105C-117	106C-1185	106C-839	47-526-1-1X	80	105C-137	106C-1278	106C-438	—
22	105C-117	106C-1185	106C-939	310233X	81	105C-137	106C-1278	106C-588	—
23	105C-117	106C-1185	106C-953	310873X	82	105C-137	106C-1278	106C-588	310233X
24	105C-117	106C-1185	106C-960	310233X	83	105C-137	106C-1278	106C-617	310233X
25	105C-117	106C-1185	106C-1046	310233X	84	105C-137	106C-1278	106C-939	310233X
26	105C-117	106C-1185	106C-1047	310233X	85	105C-137	106C-1278	106C-939	310873X
27	105C-117	106C-1185	106C-1083	—	86	105C-137	106C-1278	106C-960	310233X
28	105C-117	106C-1185	106C-1083	310233X	87	105C-137	106C-1278	106C-1046	—
29	105C-117	106C-1185	106C-1083	310473X	88	105C-137	106C-1278	106C-1046	310233X
30	105C-117	106C-1185	106C-1094	310233X	89	105C-137	106C-1278	106C-1047	—
31	105C-117	106C-1185	106C-1094	310873X	90	105C-137	106C-1278	106C-1047	310233X
32	105C-117	106C-1185	106C-1169	310233X	91	105C-137	106C-1278	106C-1083	310233X
33	105C-117	106C-1185	106C-1315	—	92	105C-137	106C-1278	106C-1094	310233X
34	105C-117	106C-1185	106C-1315	310233X	93	105C-137	106C-1278	106C-1375	310233X
35	105C-117	106C-1185	106C-1315	47-526-1-1X	94	105C-137	106C-1278	106C-1422	310233X
36	105C-117	106C-1185	106C-1417	310233X	95	105C-137	106C-1278	106C-1529	—
37	105C-117	106C-1185	106C-1417	310873X	96	105C-137	106C-1360	106C-1083	—
38	105C-117	106C-1185	106C-1490	310233X	97	105C-137	106C-1360	106C-1422	310233X
39	105C-117	106C-1278	106C-939	310233X	98	105C-137	106C-1375	106C-438	310233X
40	105C-117	106C-1278	106C-960	310873X	99	105C-137	106C-1498	106C-438	—
41	105C-117	106C-1278	106C-1047	310233X	100	105C-137	106C-1498	106C-617	310233X
42	105C-117	106C-1278	106C-1094	310233X	101	105C-137	106C-1498	106C-617	310473X
43	105C-117	106C-1278	106C-1315	310233X	102	105C-137	106C-1498	106C-939	310233X
44	105C-117	106C-1278	106C-1367	310233X	103	105C-137	106C-1498	106C-939	310473X
45	105C-117	106C-1360	106C-1083	310233X	104	105C-137	106C-1498	106C-953	310233X
46	105C-117	106C-1360	106C-1315	310233X	105	105C-137	106C-1498	106C-959	310233X
47	105C-117	Thru Shaft	106C-1550	—	106	105C-137	106C-1498	106C-1046	310233X
48	105C-117	Thru Shaft	106C-1558	—	107	105C-137	106C-1498	106C-1047	—
					108	105C-137	106C-1498	106C-1047	310233X
49	105C-124	106C-1185	106C-438	—	109	105C-137	106C-1498	106C-1083	310233X
50	105C-124	Thru Shaft	106C-1566	310233X	110	105C-137	106C-1498	106C-1094	—
51	105C-124	Thru Shaft	106C-1566	310473X	111	105C-137	106C-1498	330610-11	310233X
52	105C-124	Thru Shaft	106C-1566	310873X	112	105C-137	330601-1	106C-939	310233X
52A	105C-124	Thru Shaft	49-510-1	310233X					
53	105C-132	106C-1185	106C-1047	310233X	113	85-509-3	106C-1360	106C-1417	310233X
54	105C-132	106C-1185	106C-1083	310233X	114	85-509-3	Thru Shaft	106C-1578	310233X
55	105C-132	106C-1185	106C-1417	310873X	115	85-509-3	Thru Shaft	106C-1578	310873X
56	105C-132	106C-1185	46-510-9	—					
57	105C-132	106C-1278	46-510-9	—	116	312916	Thru Shaft	97-510-2	—

■ Use Clutch Release Bearing 7743X

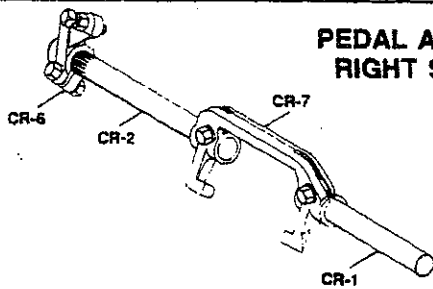
* CLUTCH RELEASE YOKE ATTACHING PARTS—Use one KEY 10-30, two SCREWS 330231 and two LOCK WASHERS 500356-12

PARTS LISTED IN THIS CATALOG MAY NO LONGER BE AVAILABLE, USE WITH TRANSMISSION SUPERSEDING LIST.

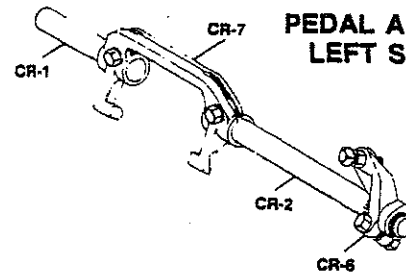
MODEL PS130

CLUTCH RELEASE CODE TABLE

HDPS-0520-0599



**PEDAL ADJUSTING ARM
RIGHT SIDE—310473X**



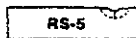
**PEDAL ADJUSTING ARM
LEFT SIDE—310233X**

CR-1 SHORT SHAFT

Part No.	Length
106C-1071	4.062"
106C-1141	5.125"
106C-1142	6.125"
106C-1185	5.750"
106C-1216	4.750"
106C-1278	4.812"
106C-1360	5.312"
106C-1375	6.781"
106C-1498	6.500"
106C-1544	7.000"
330601-1	6.250"

CR-2 LONG SHAFT (Cont'd)

Part No.	Type	Length
106C-1083	RS-8	7.969"
106C-1094	RS-8	8.469"
106C-1123	RS-8	12.968"
106C-1169	RS-8	9.125"
106C-1315	RS-8	7.625"
106C-1367	RS-8	10.312"
106C-1375	RS-8	6.781"
106C-1417	RS-8	7.250"
106C-1422	RS-8	7.500"
106C-1490	RS-8	16.000"
106C-1515	RS-5	11.375"
106C-1529	RS-5	8.312"
330610-5	RS-8	9.469"
330610-11	RS-8	10.750"
46-510-9	RS-5	7.125"



CR-2 LONG SHAFT

Part No.	Type	Length
106C-438	RS-5	14.000"
106C-588	RS-5	7.000"
106C-617	RS-8	10.469"
106C-839	RS-8	11.469"
106C-939	RS-8	10.000"
106C-953	RS-8	9.750"
106C-959	RS-8	11.968"
106C-960	RS-8	8.719"
106C-1046	RS-8	8.968"
106C-1047	RS-8	9.469"

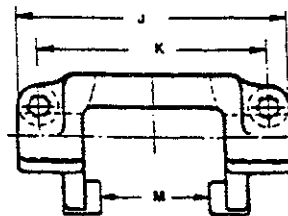
CR-6 PEDAL ADJ. ARM

310233X	For Left Side Mtg.
310473X	For Right Side Mtg.
47-526-1-1X	Lever Type 7/8"
310873X	Lever Type 7/4"

■Lever type can be used on either right or left side.

THRU SHAFT (used with Push Type Clutch)

Part No.	Type	Length
106C-1566	Splined	19.125"
106C-1550	Keyed	16.375"
106C-1558	Keyed	19.000"
106C-1578	Splined	19.500"
49-510-1	Keyed	19.120"
97-510-2	Splined	19.313"



CLUTCH RELEASE YOKES

CR-7	Forging No.	Used With	Type	J	K	M
105C-64	F105C64	Spicer 15 1/2" SP	Pull	8.000"	6.500"	4.895"
105C-68	F105C99	Spicer 14" SP	Pull	7.125"	5.750"	4.132"
105C-117 ¹	F105C118	Spicer & Others	Push	8.375"	7.000"	4.885"
105C-124	F105C125	Spicer AL & AR	Push	3.750"	2.125"	2.985"
105C-132 ²	F105C118	Spicer & Others	Push	8.375"	7.000"	4.885"
105C-137	F105C138	Spicer 13" and 14" 2P	Pull	8.000"	6.500"	4.895"
85-509-3 ³	F105C118	Spicer & Others	Push	8.375"	7.000"	4.885"

¹Machined washer surface on yoke front

²Machined washer surface on yoke rear (for clearance)

³Same as ¹ above except contains spring holes in lugs

■Use 7743X Clutch Release Bearing

★ CLUTCH RELEASE YOKE ATTACHING PARTS—

Use one KEY 10-30, two SCREWS 330231 and two LOCK WASHERS 500356-12

NOTE: When changing from a two plate to single plate clutch or vice versa, a different bearing cap will be required.

PARTS LISTED IN THIS CATALOG MAY NO LONGER BE AVAILABLE. USE WITH TRANSMISSION SUPERSEDING LIST.

MODEL PS130

BASIC OVERHAUL KITS

HDPS-0520-0599

Part Number	Part Description	Qty.
MAJOR OVERHAUL KITS		
313400-53X	MAJOR OVERHAUL KIT	1
500566-8	Ball—reverse idler shaft	2
500010-8	Woodruff Key #29	10
545065	Nut—mainshaft output	1
97-59-2	Stop Pin and Plug	1
545060	Neutral Switch Plug	1
97-35-54-2X	Drive Gear Shaft 2" -10 spline	1
313574X	Gasket and "O" Ring Kit	1
313401-28X	Thrust Washer Kit	1
313429-9X	Shifter Housing Small Parts Kit	1
313432-16X	Minor Overhaul Kit	1
MINOR OVERHAUL KITS (Included in Major Overhaul Kit)		
313432-16X	MINOR OVERHAUL KIT	1
97-463-32	Oil Seal—drive gear	1
97-463-33	Oil Seal—mainshaft (rear)	1
97-463-35	Ring—range piston housing	1
BEARINGS		
Front Case		
550031	Countershaft—front	2
550886	Reverse Idler Shaft	4
550925	Mainshaft—rear	1
550944	Drive Gear	1
550946	Input Shaft—pocket	1
550969	Countershaft—rear	2
550932	First Main—Reverse Needle Assembly	1
Rear Case		
550899	Countershaft—cup front	2
550900	Countershaft—cone front	2
550921	Output Shaft—pocket	1
550925	Output Shaft	1
550935	Countershaft—cup rear	2
550936	Countershaft—cone rear	2
545077	Bearing Lubricant	1
545080-1	Loctite	1
2770	Bearing Lube Instructions	1
2775	Pocket Bearing Installation Instructions	1
2783	Loctite Application for M/S Nuts	1
312475-35X	GASKET KIT	1
313024-6X	SNAP RING KIT	1

PARTS LISTED IN THIS CATALOG MAY NO LONGER BE AVAILABLE, USE WITH TRANSMISSION SUPERSEDING LIST.

MODEL PS130

SERVICE PARTS OVERHAUL KITS

HDPS-0520-0599

Part Number	Part Description	Qty.
Included in MAJOR OVERHAUL KITS		
313574X	Gasket and "O" Ring Kit	1
97-223-25	Gasket—piston housing	1
330895	Lubricant—"O" Ring	1
97-463-4	"O" Ring—piston	1
97-463-5	"O" Ring—piston rod	1
183-463-6	"O" Ring—piston rod to piston	1
97-463-35	"O" Ring—splitter and range housing	1
313401-28X	Thrust Washer Kit	1
330730	Mainshaft—internal (15T)	3
330732	Mainshaft—external (17T)	1
330735	Mainshaft—internal (13T)	2
330810	Mainshaft—external (24T)	2
330814	Mainshaft—external (20T)	2
97-47-4	Mainshaft—bearing	1
313429-9X	Shifter Housing Small Parts Kit	1
97-12-2	Interlock	2
97-12-3	Poppet	1
97-438-19	Pin—interlock poppet	2
97-438-1	Plunger—1st and reverse	1
330739-1	Pin—backup lite	1
500593-6	Pin—plunger	1
545000	Blocker Pin—center control	1
545010	Blocker Pin—forward control	1
97-72-2	Spring—1st and reverse	1
97-72-29	Spring—poppet interlock	1
NP-201	Plate—warranty	1
Included in MAJOR and MINOR OVERHAUL KITS		
312475-35X	GASKET KIT	1
82-118-1	Remote Control—aperture cover	1
97-155-1	Shifter Housing	1
97-155-11	Rear Case to Front Case	1
97-155-12	Tower—center (6 holes)	1
97-155-13	Tower—forward (4 holes)	1
97-223-1	Bearing Cap—drive gear	1
97-223-2	Bearing Cap—mainshaft (rear case)	1
97-223-8	Cover—without air control	1
97-223-23	Bearing Cap—countershaft rear case	2
97-223-25	Piston Housing—air control	2
97-352-1	Clutch Housing	1
97-324-1-1X	P.T.O. (6 holes)	1
97-324-2-1X	P.T.O. (8 holes)	1
313024-6X	SNAP RING KIT	1
70-381-6	Drive Gear retainer	1
97-381-1	Mainshaft—internal small	2
97-381-2	Mainshaft—internal	3
97-381-4	Mainshaft—external	3
97-381-30	Countershaft—retainer front	2
97-381-32	Mainshaft—internal	2
97-381-34	Countershaft—backing rear	2
97-381-35	Mainshaft—external	2
98-381-1	Mainshaft—external	3
98-381-2	Mainshaft—internal	1

PARTS LISTED IN THIS CATALOG MAY NO LONGER BE AVAILABLE, USE WITH TRANSMISSION SUPERSEDING LIST.

MODEL PS130

HDPS-0520-0599

TABULATED BILLS OF MATERIAL

Tab No.	Used By	For Use With Clutch	CLUTCH HOUSING			Drive Gear Input Shaft A-1	Drive Gear Bearing Cap Assembly F-2	Rear Case Assembly RG-1	Main Case Assembly G-1
			S A E	Assembly No. E-2	Rel. Code Pages 22				
Model PS105-7LL									
301464									
-1	Navistar	Pull Type	1	97-518-15-1X	—	97-35-54	97-19-36-1X	97-15-58-1X	97-15-44-1X
-2	Direcspicer	Pull Type	1	97-518-15-1X	—	97-35-54	97-19-36-1X	97-15-58-1X	97-15-61-1X
-3	Navistar	Pull Type	1	97-518-15-1X	—	97-35-54	97-19-36-1X	97-15-58-1X	97-15-44-1X
-4	Navistar	Pull Type	1	97-518-15-1X	—	97-35-54	97-19-36-1X	97-15-58-1X	97-15-44-1X
Model PS130-6L									
301465									
-1	Navistar	Pull Type	1	97-518-15-1X	—	97-35-54	97-19-36-1X	97-15-58-1X	97-15-44-1X
-2	Direcspicer	Pull Type	1	97-518-15-1X	—	97-35-54	97-19-36-1X	97-15-58-1X	97-15-61-1X
-3	Navistar	Pull Type	1	97-518-15-1X	—	97-35-54	97-19-36-1X	97-15-58-1X	97-15-44-1X
Model 9505-2A									
301408									
-1	Navistar	Pull Type	1	97-518-15-1X	—	97-35-54	97-19-36-1X	97-15-58-1X	97-15-44-1X
-2	Direcspicer	Pull Type	1	97-518-15-1X	—	97-35-54	97-19-36-1X	97-15-58-1X	97-15-61-1X
-3	Navistar	Pull Type	1	97-518-15-1X	—	97-35-54	97-19-36-1X	97-15-58-1X	97-15-44-1X
-4	Navistar	Pull Type	1	97-518-15-1X	—	97-35-54	97-19-36-1X	97-15-58-1X	97-15-44-1X
-5	Peterbilt	Pull Type	1	97-518-15-1X	—	97-35-54	97-19-36-1X	97-15-58-1X	97-15-44-1X
Model 9505-2B									
30145									
-1	Navistar	Pull Type	1	97-518-15-1X	—	97-35-54	97-19-36-1X	97-15-58-1X	97-15-44-1X
-2	Direcspicer	Pull Type	1	97-518-15-1X	—	97-35-54	97-19-36-1X	97-15-58-1X	97-15-61-1X
-3	Navistar	Pull Type	1	97-518-15-1X	—	97-35-54	97-19-36-1X	97-15-58-1X	97-15-44-1X

PARTS LISTED IN THIS CATALOG MAY NO LONGER BE AVAILABLE, USE WITH TRANSMISSION SUPERSEDING LIST.

MODEL PS130

TABULATED BILLS OF MATERIAL

HDPS-0520-0599

Tab No.	Electronic Rear Bearing Cap Assembly RH-2 (incl. Bushing, Seal)	SPEEDOMETER		End Yoke or Companion Flange RB-7	SHIFTER		
		Drive Gear RB-8	Driven Gear RH-7		Housing Ass'y Pages 14-17	Lever & Dome Ass'y Page 12	Remote Control Pages 18-19
Model PS105-7LL							
301464 (Cont'd)							
-1	97-19-51-1X	—	—	—	97-16-79-5X	—	—
-2	97-19-51-1X	—	—	—	97-16-89-6X ■	—	—
-3	97-19-51-1X	—	—	—	97-16-81-5X	—	—
-4	97-19-51-1X	—	—	—	97-16-79-5X	—	—
Model PS130-6L							
301465 (Cont'd)							
-1	97-19-51-1X	—	—	—	97-16-81-5X	—	—
-2	97-19-51-1X	—	—	—	97-16-90-5X ■	—	—
-3	97-19-51-1X	—	—	—	97-16-79-5X	—	—
Model 9505-2A							
301408 (Cont'd)							
-1	97-19-51-1X	—	—	—	97-16-79-5X	—	—
-2	97-19-51-1X	—	—	—	97-16-89-6X ■	—	—
-3	97-19-51-1X	—	—	—	97-16-81-5X	—	—
-4	97-19-51-1X	—	—	—	97-16-79-5X	—	—
-5	97-19-51-1X	—	—	—	97-16-79-5X	—	—
Model 9505-2B							
301425 (Cont'd)							
-1	97-19-51-1X	—	—	—	97-16-81-5X	—	—
-2	97-19-51-1X	—	—	—	97-16-90-5X ■	—	—
-3	97-19-51-1X	—	—	—	97-16-79-5X	—	—

■ Not Available for replacement

Replace 97-16-89-6X with 97-16-79-5X for center control

Replace 97-16-90-5X with 97-16-81-5X for forward control

PARTS LISTED IN THIS CATALOG MAY NO LONGER BE AVAILABLE, USE WITH TRANSMISSION SUPERSEDING LIST.



14700 Helm Court
Plymouth, MI 48170
(800) 401-9866 or (734) 456-3770
Fax: (734) 456-3739
www.ttcautomotive.com

