

T210-59
Top Mounted
Power Take-Offs
November, 1977
Supersedes T210-59
Dated May, 1974

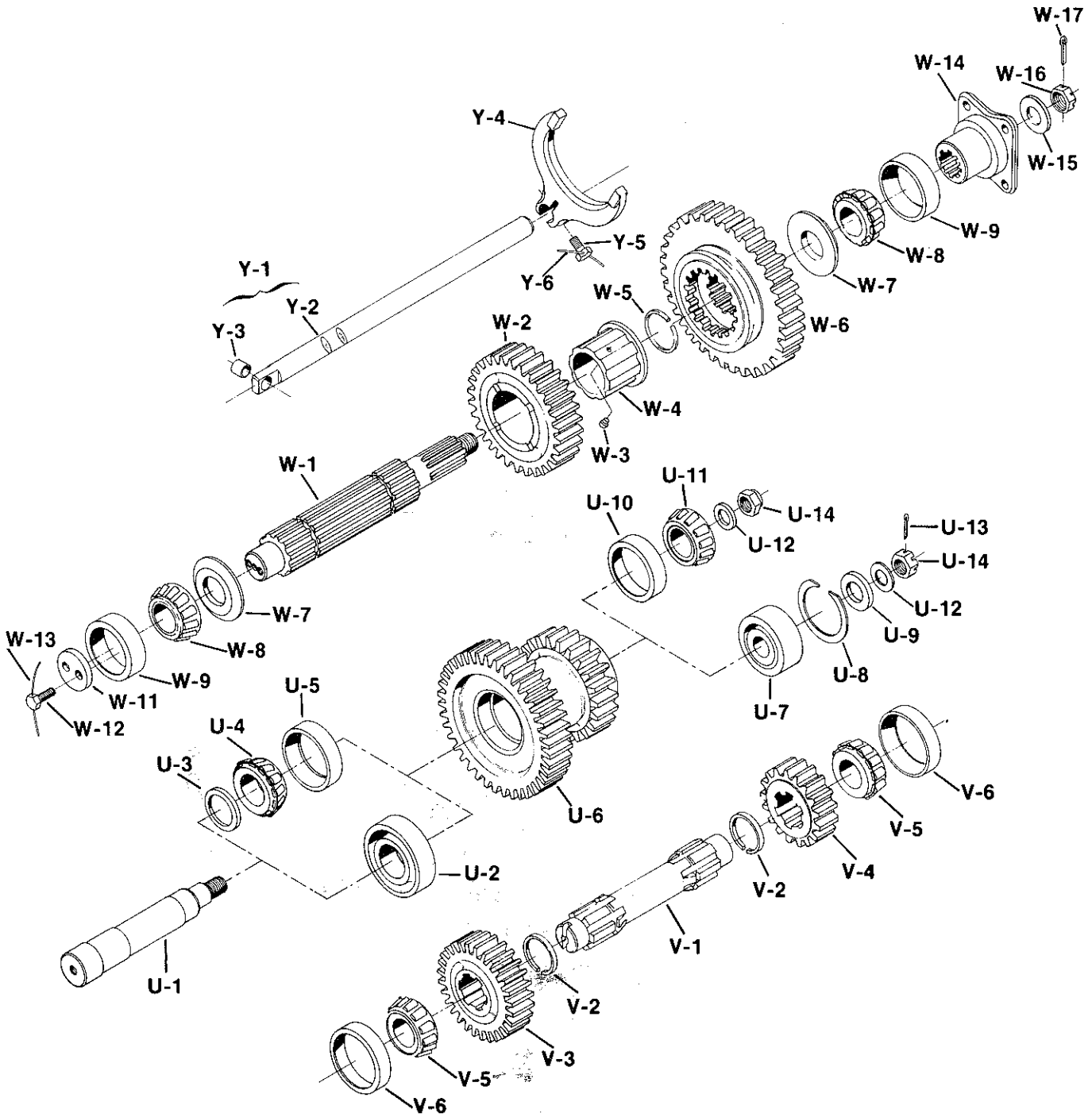
Spicer[®] INTERNAL LUBE



TOP MOUNTED POWER TAKE-OFFS FOR AUXILIARY TRANSMISSIONS

CONTENTS

Gears and Related Parts —	2 & 3
Cup & Cone Style	6 & 7
Cylindrical Roller Style	4 & 5
Case, Bearing Caps and Shifting Parts	8 & 9
Cup & Cone Style	10 thru 13
Cylindrical Roller Style	14
Tabulated Bills of Material	15
Superseding List	16
Companion Flanges and Flange Yokes	
Bearing Kits	



Ref. No.	Part No.	Part Name	Basic Assembly See Page 10 & 11 For Tabs				
			313051X	313052X	313053X	313083X	313084X
		Top Mounted P.T.O. Assembly — 1241 Auxiliary	1	—	—	—	—
		" " " " — R8031, R8341 Auxiliary	—	1	—	—	—
		" " " " — 7041 Auxiliary	—	—	1	—	—
		" " " " — 8031 Auxiliary	—	—	—	1	—
		" " " " — 8341 Auxiliary	—	—	—	—	1

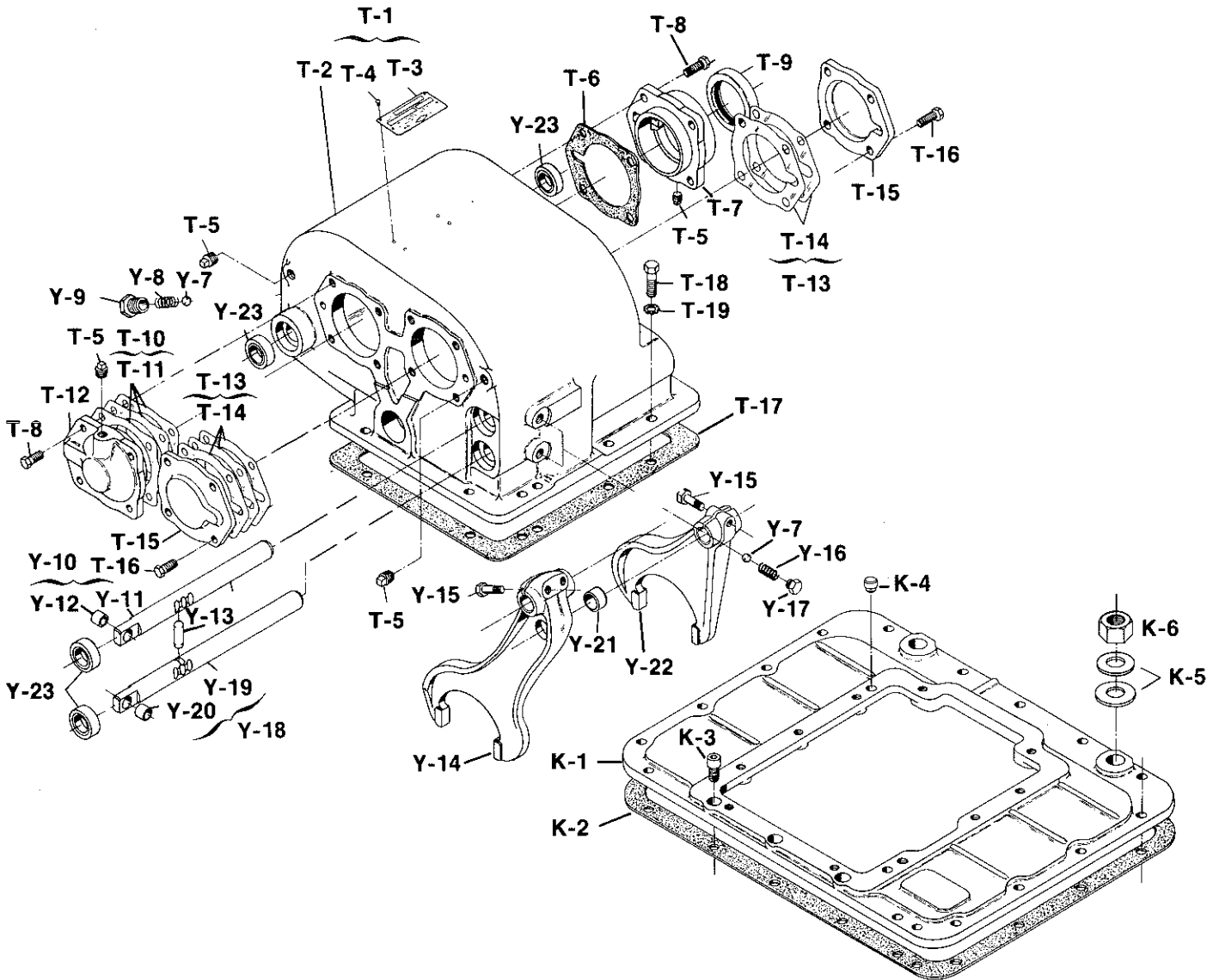
**GEARS and RELATED PARTS
CUP and CONE STYLE**



T210-59

Ref. No.	Part No.	Part Name	Basic Assembly				
			313051X	313052X	313053X	313083X	313084X
		SHIFT ROD					
Y-1	98-67-4-1X	Rod & Bushing Assembly — P.T.O. Shift.....	1	1	1	—	—
"	70-67-25-1X	" " " " — P.T.O. Shift.....	—	1	—	—	—
"	311824X	" " " " — P.T.O. Shift.....	—	—	—	1	1
Y-2	N.S.S.	Shift Rod.....	1	1	1	1	1
Y-3	71-24-14	Bushing-shift rod.....	1	1	1	1	1
Y-4	70-66-12	Fork-output sliding gear shift.....	1	1	1	1	1
Y-5	595-D	Screw-shift fork.....	2	2	2	2	2
Y-6	LW-1	Lockwire.....	AR	AR	AR	AR	AR
		OUTPUT SHAFT & GEARS					
W-1	70-362-15	Output Shaft.....	1	1	1	1	1
W-2	70-8-31	Gear-output drive (30T).....	—	—	—	1	1
"	70-8-57	" " " (25T).....	—	1	—	—	—
"	70-8-58	" " " (28T).....	—	—	1	—	—
"	98-8-9	" " " (28T).....	1	—	—	—	—
W-3	425-SP	Pin-output drive gear sleeve.....	1	1	1	1	1
W-4	70-37-10	Sleeve-output drive gear.....	—	—	—	1	1
"	98-37-5	" " " ".....	1	1	1	—	—
W-5	22-381-15	Snap Ring.....	—	—	—	1	1
"	98-381-3	" ".....	1	1	1	—	—
N.S.	70-37-25	Sleeve-neutral & high lockout.....	—	1	—	—	—
W-6	70-8-19	Gear-output sliding (37T).....	—	—	—	1	1
"	98-8-11	" " " (37T).....	1	1	1	—	—
N.S.	70-37-22	Sleeve-reverse lockout.....	—	1	—	—	—
W-7	948-W	Washer-output shaft bearing.....	2	2	2	2	2
W-8	550448	Cone-output shaft bearing.....	2	2	2	2	2
W-9	550449	Cup-output shaft bearing.....	2	2	2	2	2
W-11	517-W	Washer-bearing retainer.....	1	1	1	1	1
W-12	689-D	Screw-bearing retainer washer.....	2	2	2	2	2
W-13	LW-1	Lockwire.....	AR	AR	AR	AR	AR
W-14	See Tab	Flange or Yoke.....	AR	AR	AR	AR	AR
W-15	139-W	Washer-29/32" I.D.....	1	1	1	1	1
W-16	263-J	Nut-7/8"-16 hex castellated.....	1	1	1	1	1
W-17	500024-7	Cotter Pin-1/8" x 1 1/4".....	1	1	1	1	1
		INTERMEDIATE SHAFT & GEAR					
U-1	70-187-1	Intermediate Shaft.....	—	1	1	1	1
"	98-187-1	" " -w/self-locking nut.....	1	—	—	—	—
U-2	550903	Bearing-intermediate shaft front.....	—	1	1	1	1
U-3	330816	Washer-w/cup & Cone bearing.....	1	—	—	—	—
U-4	550912	Cone-intermediate shaft front bearing.....	1	—	—	—	—
U-5	550913	Cup-intermediate shaft front bearing.....	1	—	—	—	—
U-6	70-30-17	Gear-intermediate (35T-20T).....	—	—	—	1	1
"	70-30-24	" " (33T-20T).....	—	—	1	—	—
"	70-30-26	" " (29T-20T).....	—	1	—	—	—
"	98-30-5	" " (39T-20T).....	1	—	—	—	—
U-7	550261	Bearing-intermediate rear.....	—	1	1	1	1
U-8	74-381-1	Snap Ring.....	—	1	1	1	1
U-9	842-W	Washer-rear bearing.....	—	1	1	1	1
U-10	550228	Cup-intermediate rear bearing.....	1	—	—	—	—
U-11	550183	Cone-intermediate rear bearing.....	1	—	—	—	—
U-12	25-W	Flat Washer.....	1	1	1	1	1
U-13	500024-7	Cotter Pin-1/8" x 1 1/4".....	—	1	1	1	1
U-14	500389-8	Nut-3/4"-16 hex (w/cotter pin).....	—	1	1	1	1
"	545007	" " " (self locking).....	1	—	—	—	—
		REVERSE SHAFT & GEARS					
V-1	70-60-7	Reverse Shaft (1 3/4"-6 spline).....	1	1	1	1	1
V-2	70-381-5	Snap Ring.....	2	2	2	2	2
V-3	70-196-7	Gear-reverse drive (26T).....	—	—	—	1	1
"	70-196-18	" " " (25T).....	—	—	1	—	—
"	70-196-31	" " " (22T).....	—	1	—	—	—
"	98-196-5	" " " (26T).....	1	—	—	—	—
V-4	70-5-4	Gear-reverse (17T).....	1	1	1	1	1
V-5	550446	Cone-reverse shaft tapered bearing.....	2	2	2	2	2
V-6	550447	Cup-reverse shaft tapered bearing.....	2	2	2	2	2

N.S.—Not Shown N.S.S.—Not Sold Separately



Ref. No.	Part No.	Part Name	Basic Assembly See Page 10 & 11 for Tabs					
			313051X	313052X	313053X	313083X	313084X	
		Top Mounted P.T.O. Assembly						
		— 1241 Auxiliary	1	—	—	—	—	—
		— R8031, R8341 Auxiliary	—	1	—	—	—	—
		— 7041 Auxiliary	—	—	1	—	—	—
		— 8031 Auxiliary	—	—	—	1	—	—
		— 8341 Auxiliary	—	—	—	—	1	—
		CASE PARTS						
T-1	60-15-158-2X	Case Assembly	—	—	1	—	—	—
"	70-15-42-2X	" " " " " "	—	1	—	1	1	
"	98-15-8-2X	" " " " " "	1	—	—	—	—	
T-2	N.S.S.	Case and Oil Retainer Assembly	1	1	1	1	1	
T-3	NP-96	Nameplate	1	1	1	1	1	
T-4	252-SP	Pin-nameplate	4	4	4	4	4	
N.S.	500927-1	Elbow-3/8" -18 N.P.T. street ell	—	—	1	—	—	
N.S.	5194X	Breather	—	—	1	—	—	
T-5	500111	Plug-1/8"-27 NPTF	4	4	4	4	4	
T-6	70-223-26	Gasket-output shaft bearing cap	1	1	1	1	1	
T-7	70-19-37	Cap-output shaft bearing (open end)	1	1	1	1	1	
T-8	545002-4	Screw-3/8"-16 x 1 1/8" hex head	8	8	8	8	8	

N.S.—Not Shown N.S.S.—Not Sold Separately

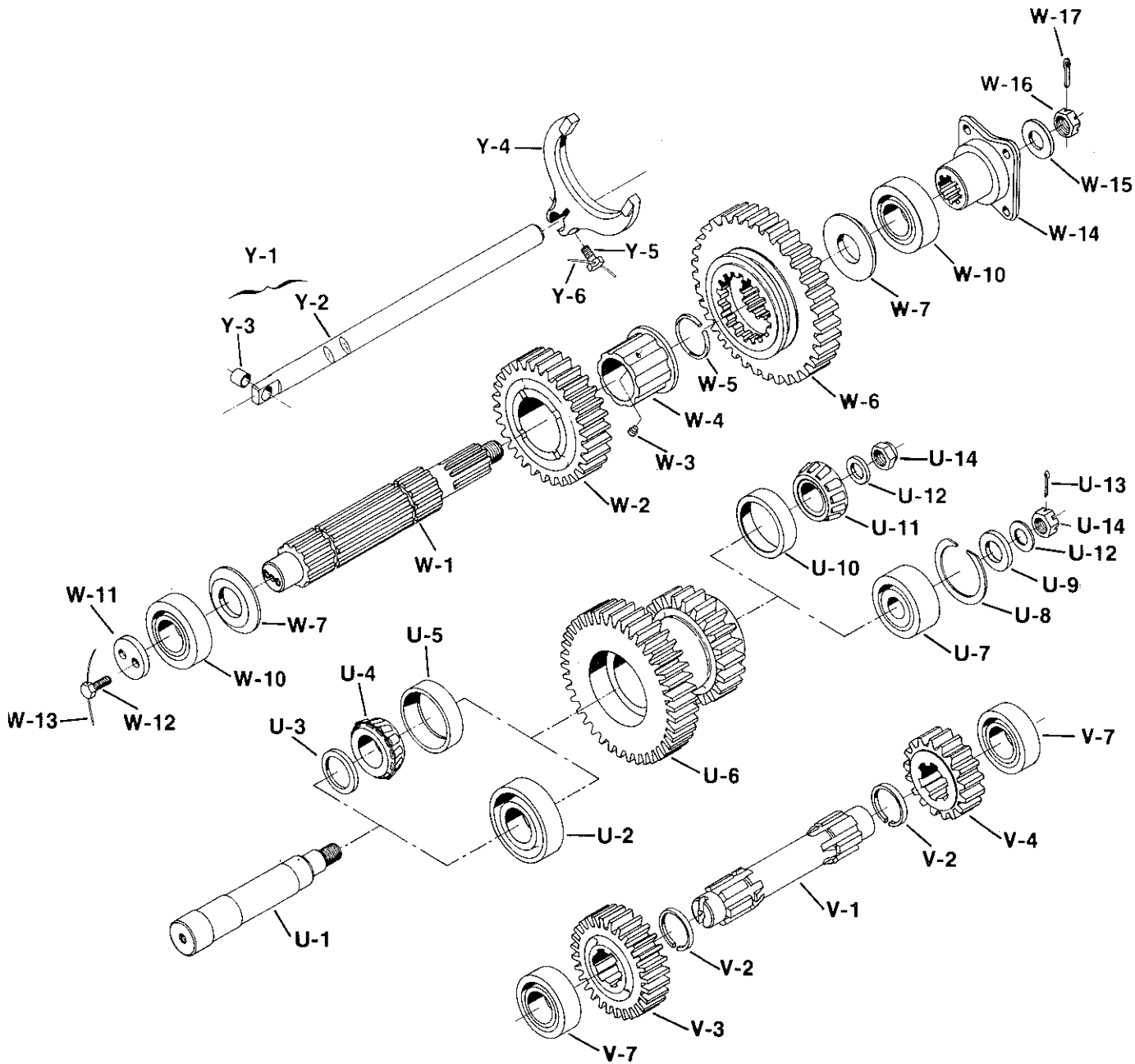
**CASE and RELATED PARTS
CUP and CONE STYLE**



T210-59

Ref. No.	Part No.	Part Name	Basic Assembly See Page 10 & 11 For Tabs				
			313051X	313052X	313053X	313083X	313084X
T-9	22-463-13	Seal-output shaft	1	1	1	1	1
T-10	313163X	Shim Kit	1	1	1	1	1
T-11	70-228-4-1	Shim-output shaft bearing cap (.030")	1	1	1	1	1
"	70-228-4-2	" " " " " (.010")	2	2	2	2	2
"	70-228-4-3	" " " " " (.003")	3	3	3	3	3
T-12	70-19-35	Cap-output shaft bearing (closed end)	1	1	1	1	1
T-13	313164X	Shim Kit	1	1	1	1	1
T-14	70-228-5-1	Shim-reverse shaft bearing cap (.030")	7	7	7	7	7
"	70-228-5-2	" " " " " (.010")	5	5	5	5	5
"	70-228-5-3	" " " " " (.003")	3	3	3	3	3
T-15	70-22-16	Cap-reverse shaft bearing	2	2	2	2	2
T-16	545002-1	Screw-3/8"-16 x 7/8" hex head nylon patch	8	8	8	8	8
T-17	70-155-4	Gasket-P.T.O. to transmission	1	1	1	1	1
"	98-155-2	" " to adapter plate	—	—	—	—	—
T-18	545028	Screw-7/16"-14 x 1 1/4" hex head nylon patch	8	—	8	—	—
"	500399-12	Screw-7/16"-14 x 1 1/4" hex	8	—	8	—	—
N.S.	150-V	Stud-7/16"-14 — 20 x 1 3/4"	—	—	2	—	—
N.S.	237-V	Stud-7/16"-14 — 20 x 1 7/8"	2	2	—	2	2
T-19	500371-12	Lockwasher-7/16"	—	—	10	—	—
"	330547	Lockwasher - 7/16" (External tooth)	10	—	—	—	—
N.S.	500371-4	Nut-7/16" — 20	2	2	2	2	2
SHIFTER PARTS							
Y-7	50-80-1	Ball-poppet	3	3	1	3	3
Y-8	22-72-5	Spring-poppet	1	1	1	1	1
Y-9	30-59-4	Retainer-poppet spring	1	1	1	1	1
Y-10	98-67-3-1X	Rod & Bushing Assembly - 3rd & 4th shift (1241)	1	—	—	—	—
"	311826X	" " " " - 2nd & 3rd shift (8031 & R8031)	—	1	—	1	—
"	311826X	" " " " - 3rd & 4th shift (8341 & R8341)	—	1	—	—	1
Y-11	N.S.S.	Shift Rod	1	1	—	1	1
Y-12	71-24-14	Bushing-shift rod	1	1	—	1	1
Y-13	70-12-1	Interlock	1	1	—	1	1
Y-14	70-66-18	Fork-2nd & 3rd shift (8031 & R8031)	—	1	—	1	—
"	70-66-18	" -3rd & 4th shift (8341 & R8341)	—	1	—	—	1
"	98-66-5	" -3rd & 4th shift (1241)	1	—	—	—	—
Y-15	595-D	Screw-shift fork	—	3	—	4	3
"	545004	Screw-shift fork-7/16"-20 x 13/16" square hd. nylon patch	2	—	—	—	—
Y-16	22-72-2	Spring-poppet	2	2	—	2	2
Y-17	854-D	Plug-poppet	2	2	—	2	2
Y-18	98-67-2-1X	Rod & Bushing Assembly-1st & 2nd shift (1241)	1	—	—	—	—
"	311825X	" " " " -1st speed shift (8031)	—	—	—	1	—
"	311830X	" " " " -1st & 2nd shift (8341 & R8341)	—	1	—	—	1
"	311830X	" " " " -1st speed shift (R8031-R)	—	1	—	—	—
"	70-67-22-1X	" " " " -1st speed shift (R8031-P & - Q)	—	1	—	—	—
Y-19	N.S.S.	Shift Rod	1	1	—	1	1
Y-20	71-24-14	Bushing-Shift Rod	1	1	—	1	1
Y-21	203-14	Sleeve-1st shift fork (R8031-R)	—	1	—	—	—
Y-22	70-66-14	Fork-1st shift (8031)	—	—	—	1	—
"	70-66-21	" -1st shift (R8031)	—	1	—	—	—
"	70-66-21	" -1st & 2nd shift (8341 & R8341)	—	1	—	—	1
"	98-66-3	" -1st & 2nd shift (1241)	1	—	—	—	—
Y-23	61-463-4	Oil Seal-shift rod	4	4	2	4	4
ADAPTER PLATE PARTS							
K-1	98-215-5	Adapter Plate	1	—	—	—	—
K-2	98-155-1	Gasket-adapter plate to transmission	1	—	—	—	—
K-3	500504-5	Screw-7/16"-14 x 7/8" socket head	3	—	—	—	—
K-4	275-SP	Dowel Pin	2	2	2	2	2
K-5	16-W	Washer-7/8" I.D. case anchor spacer	4	—	—	—	—
K-6	500371-9	Nut — 7/8"-14 (Not included in Ass'y.)	2	—	—	—	—

N.S.—Not Shown N.S.S.—Not Sold Separately



Ref. No.	Part No.	Part Name	Basic Assembly See Page 12 & 13 For Tabs	313232X	313254X	313220X	313219X	313223X	313224X
		Top Mounted P.T.O. Assembly							
		— 1241 Auxiliary		1					
		— 1241 Auxilliary			1				
		— R8031, R8341 Auxiliary				1			
		— 7041 Auxiliary					1		
		— 8031 Auxiliary						1	
		— 8341 Auxiliary							1
		SHIFTER PARTS							
Y-1	98-67-4-1X	Rod & Bushing Assembly — P.T.O. shift		1	1	1	1		
"	70-67-25-1X	" " " " " " " " " "				1			
"	311824X	" " " " " " " " " "						1	1
Y-2	N.S.S.	Shift Rod		1	1	1	1	1	1
Y-3	71-24-14	Bushing-shift rod		1	1	1	1	1	1

N.S.S.—Not Sold Separately

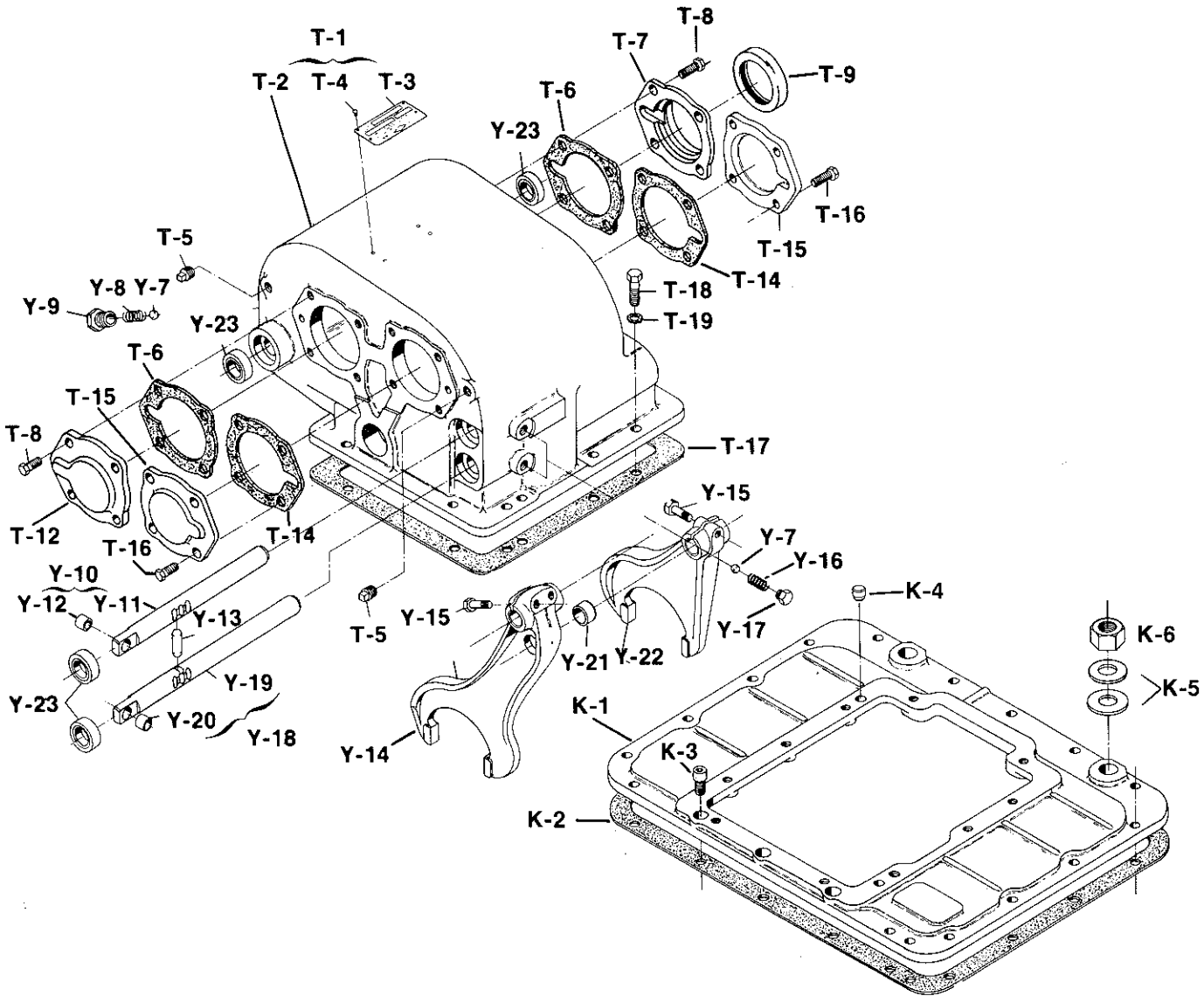
GEARS and RELATED PARTS CYLINDRICAL ROLLER STYLE

Spicer®

T210-59

Ref. No.	Part No.	Part Name	Basic Assembly See Page 12 & 13 For Tabs					
			313232X	313254X	313220X	313219X	313223X	313224X
Y-4	70-66-12	Fork-output sliding gear shift	1	1	1	1	1	1
Y-5	595-D	Screw-shift fork	2	2	2	2	2	2
Y-6	LW-1	Lockwire	AR	AR	AR	AR	AR	AR
OUTPUT SHAFT & GEARS								
W-1	70-362-10	Output Shaft	1	1	1	1	1	1
W-2	70-8-31	Gear-output drive (30T)	—	—	—	—	1	1
"	70-8-57	" " " (25T)	—	—	1	—	—	—
"	70-8-58	" " " (28T)	—	—	—	1	—	—
"	98-8-9	" " " (28T)	1	1	—	—	—	—
W-3	425-SP	Pin-output drive gear sleeve	1	1	1	1	1	1
W-4	70-37-10	Sleeve-output drive gear	—	—	—	—	1	1
"	98-37-5	" " " "	1	1	1	1	—	—
W-5	22-381-15	Snap Ring	—	—	—	—	1	1
"	98-381-3	" " " "	1	1	1	1	—	—
N.S.	70-37-25	Sleeve-neutral & high lockout (See page 13 for Tabs)	—	—	1	—	—	—
W-6	70-8-19	Gear-output sliding (37T)	—	—	—	—	1	1
"	98-8-11	" " " (37T)	1	1	1	1	—	—
N.S.	70-37-22	Sleeve-reverse lockout (See page 13 for Tabs)	—	—	1	—	—	—
W-7	948-W	Washer-output shaft bearing	2	2	2	2	2	2
W-10	550940	Cylindrical-output shaft bearing	2	2	2	2	2	2
W-11	517-W	Washer-bearing retainer	1	1	1	1	1	1
W-12	689-D	Screw-bearing retainer washer	2	2	2	2	2	2
W-13	LW-1	Lockwire	AR	AR	AR	AR	AR	AR
W-14	See Tab	Flange or Yoke	AR	AR	AR	AR	AR	AR
W-15	139-W	Washer-29/32" I.D.	1	1	1	1	1	1
W-16	263-J	Nut-7/8"-16 hex castellated	1	1	1	1	1	1
W-17	500024-7	Cotter Pin-1/8" x 1 1/4"	1	1	1	1	1	1
INTERMEDIATE SHAFT & GEAR								
U-1	70-187-1	Intermediate Shaft	—	—	1	1	1	1
"	98-187-1	Intermediate Shaft-w/self-locking nut	1	1	—	—	—	—
U-2	550903	Bearing-intermediate shaft front	—	—	1	1	1	1
U-3	330816	Washer-w/cup & cone bearing	1	1	—	—	—	—
U-4	550912	Cone-intermediate shaft front bearing	1	1	—	—	—	—
U-5	550913	Cup-intermediate shaft front bearing	1	1	—	—	—	—
U-6	70-30-17	Gear-intermediate (35T-20T)	—	—	—	—	1	1
"	70-30-24	" " (33T-20T)	—	—	—	1	—	—
"	70-30-26	" " (29T-20T)	—	—	1	—	—	—
"	98-30-5	" " (39T-20T)	1	1	—	—	—	—
U-7	550261	Bearing-intermediate rear	—	—	1	1	1	1
U-8	74-381-1	Snap Ring	—	—	1	1	1	1
U-9	842-W	Washer-rear bearing	—	—	1	1	1	1
U-10	550228	Cup-intermediate rear bearing	1	1	—	—	—	—
U-11	550183	Cone-intermediate rear bearing	1	1	—	—	—	—
U-12	25-W	Flat Washer	1	1	1	1	1	1
U-13	500024-7	Cotter Pin-1/8" x 1 1/4"	—	—	1	1	1	1
U-14	500389-8	Nut-3/4"-16 hex (w/cotter pin)	—	—	1	1	1	1
"	545007	" " " " (self locking)	1	1	—	—	—	—
REVERSE SHAFT & GEARS								
V-1	70-60-6	Reverse Shaft (1 3/4"-6 spline)	1	1	1	1	1	1
V-2	70-381-5	Snap Ring	2	2	2	2	2	2
V-3	70-196-7	Gear-reverse drive (26T)	—	—	—	—	1	1
"	70-196-18	" " " (25T)	—	—	—	1	—	—
"	70-196-31	" " " (22T)	—	—	1	—	—	—
"	98-196-5	" " " (26T)	1	1	—	—	—	—
V-4	70-5-4	Gear-reverse (17T)	1	1	1	1	1	1
V-7	550941	Cylindrical-reverse shaft bearing	2	2	2	2	2	2

N.S.—Not Shown



Ref. No.	Part No.	Part Name	Basic Assembly See Page 12 & 13 For Tabs					
			313232X	313254X	313220X	313219X	313223X	313224X
		Top Mounted P.T.O. Assembly						
		— 1241 Aux.	1	—	—	—	—	—
		— 1241 Aux.	—	1	—	—	—	—
		— R8031, R8341 Auxiliary	—	—	1	—	—	—
		— 7041 Auxiliary	—	—	—	1	—	—
		— 8031 Auxiliary	—	—	—	—	1	—
		— 8341 Auxiliary	—	—	—	—	—	1
		CASE PARTS						
T-1	60-15-158-3X	Case Assembly	—	—	—	1	—	—
"	70-15-42-3X	" "	—	—	1	—	1	1
"	98-15-8-3X	" "	1	1	1	—	—	—
T-2	N.S.S.	Case	1	1	1	1	1	1
T-3	NP-96	Nameplate	1	1	1	1	1	1
T-4	252-SP	Pins-nameplate	4	4	4	4	4	4
N.S.	500927-1	Elbow-3/8"-18 N.P.T. Street ell	—	—	—	1	—	—
N.S.	5194X	Breather	—	—	—	—	1	—
N.S.	500113	Plug-with breather in Auxiliary bearing cap	—	—	—	—	1	—

N.S.—Not Shown N.S.S.—Not Sold Separately

**CASE and RELATED PARTS
CYLINDRICAL ROLLER STYLE**



T210-59

Ref. No.	Part No.	Part Name	Basic Assembly See Page 12 & 13 For Tabs					
			313232X	313254X	313220X	313219X	313223X	313224X
T-5	500111	Plug-1/8"-27 N.P.T.F.	2	2	2	2	2	2
T-6	70-223-26	Gasket-output shaft bearing cap.....	2	2	2	2	2	2
T-7	98-19-4	Cap-output shaft bearing (open end)	1	1	1	1	1	1
T-8	545002-4	Screw-3/8"-16 x 1 1/8" hex head nylon patch	8	8	8	8	8	8
T-9	22-463-13	Oil Seal-output shaft.....	1	1	1	1	1	1
T-12	98-19-3	Cap-output shaft bearing (closed end)	1	1	1	1	1	1
T-14	70-223-23	Gasket-reverse shaft bearing cap	2	2	2	2	2	2
T-15	70-22-16	Cap-reverse shaft bearing	2	2	2	2	2	2
T-16	545002-1	Screw-3/8"-16 x 7/8" hex head nylon patch	8	8	8	8	8	8
T-17	70-155-4	Gasket-P.T.O. to Auxiliary	—	—	1	1	1	1
"	98-155-2	" " to Adapter Plate	1	1	—	—	—	—
T-18	545028	Screw-7/16"-14 x 1 1/4" hex head nylon patch	8	8	—	8	—	—
N.S.	150-V	Stud-7/16"-14 — 20 x 1 3/4".....	—	—	—	2	—	—
N.S.	237-V	Stud-7/16"-14 — 20 x 1 7/8".....	2	2	2	—	2	2
T-19	500371-12	Lockwasher-7/16"	—	—	2	—	—	—
"	330547	" " (external tooth)	2	2	—	—	—	—
N.S.	500371-4	Nut-7/16"-20	2	2	2	2	2	2
SHIFTER PARTS								
Y-7	50-80-1	Ball-poppet	3	3	3	1	3	3
Y-8	22-72-5	Spring-poppet.....	1	1	1	1	1	1
Y-9	30-59-4	Retainer-poppet spring	1	1	1	1	1	1
Y-10	98-67-3-1X	Rod & Bushing Assembly-Use with M/S 98-362-1(1241).....	1	1	—	—	—	—
"	98-67-13-1X	" " " " -Use with M/S 98-362-3 (1241)	1	1	—	—	1	—
"	311826X	" " " " -2nd & 3rd shift-8031-R8031	—	—	1	—	—	—
"	311826X	" " " " -3rd & 4th shift-8341-R8341	—	—	1	—	—	1
Y-11	N.S.S.	Shift Rod.....	1	1	1	—	1	1
Y-12	71-24-14	Bushing-shift rod	1	1	1	—	1	1
Y-13	70-12-1	Interlock	1	1	1	—	1	1
Y-14	70-66-18	Fork-2nd & 3rd shift (8031-R8031)	—	—	1	—	—	—
"	70-66-18	" -3rd & 4th shift (8341-R8341)	—	—	1	—	—	1
"	98-66-10	" -3rd & 4th shift (1241)	1	1	—	—	4	3
Y-15	595-D	Screw-shift fork	2	2	—	—	—	—
"	545004	Screw-7/16"-20 x 13/16" square head nylon patch	2	2	—	—	—	—
Y-16	22-72-2	Spring-poppet.....	2	2	2	—	2	2
Y-17	854-D	Plug-poppet spring	2	2	2	—	2	2
Y-18	98-67-2-1X	Rod & Bushing Assembly-1st & 2nd shift (1241)	1	1	—	—	—	—
"	311825X	" " " " -1st shift (8031)	—	—	—	—	1	—
"	311830X	" " " " -1st shift (R8031).....	—	—	1	—	—	—
"	311830X	" " " " -1st & 2nd shift (8341-R8341)	—	—	1	—	—	1
"	70-67-2-1X	" " " " -1st shift (R8031-P,-Q.)	—	—	1	—	—	—
Y-19	N.S.S.	Shift Rod.....	1	1	1	—	1	1
Y-20	71-24-4	Bushing-shift rod	1	1	1	—	1	1
Y-21	203-14	Sleeve-1st shift fork (R8031-R)	—	—	1	—	—	—
Y-22	70-66-14	Fork-1st shift (8031)	—	—	—	—	1	—
"	70-66-21	" -1st shift (R8031-P,-Q,-R)	—	—	1	—	—	—
"	70-66-21	" -1st & 2nd shift (8341-R8341)	—	—	1	—	—	1
"	98-66-3	" -1st & 2nd shift (1241)	1	1	—	—	—	—
Y-23	61-463-4	Oil Seal-shift rod	4	4	4	2	4	4
ADAPTER PLATE PARTS								
K-1	98-215-3	Adapter Plate - For use with B/M 301151 (1241C) & B/M 301152 (1241D) - must be ordered separately.....	—	1	—	—	—	—
"	98-215-5	Adapter Plate - For use with B/M 300977, 301145 (1241C) & B/M 300978, 301146 (1241D) Included with Assembly.....	1	—	—	—	—	—
K-2	98-155-1	Gasket-adapter plate to Auxiliary	1	—	—	—	—	—
K-3	500504-5	Screw-7/16"-14 x 7/8" socket head	3	—	—	—	—	—
K-4	275-SP	Dowel Pin	2	—	2	2	2	2
K-5	16-W	Washer-7/8" I.D. case anchor spacer	4	4	—	—	—	—
K-6	500371-9	Nut-7/8"-14 (Not included in Ass'y.)	2	2	—	—	—	—

N.S.—Not Shown N.S.S.—Not Sold Separately

CUP and CONE STYLE
TABULATED BILLS OF MATERIAL

Tab No.	Used with Auxiliary	Location of Output Shaft	Companion Flange	
			Part No.	Series
313051-1X	1241	Rear	—	—
" -2X	"	Rear	—	—
" -3X	"	Front	—	—
" -4X	"	Front	—	—
" -5X	"	Front	—	—
" -6X	"	Front	3-1-4011	1410
" -7X	"	Rear	—	—
313052-1X	R8341	Rear	—	—
" -2X	"	Rear	—	—
" -3X	"	Fr. or Rear	3-1-4011	1410
" -4X	R8031-P,-Q	Rear	—	—
" -5X	R8031-R	Rear	—	—
" -6X	"	Fr. or Rear	3-1-4011	1350/1410
" -7X	"	Fr. or Rear	—	—
" -8X	R8341	Fr. or Rear	—	—
" -9X	"	Fr. or Rear	3-1-751	1410
" -10X	"	Rear	—	—
" -11X	R8031-R	Fr. or Rear	—	—
" -12X	"	Rear	—	—
" -13X	R8341	Front	—	—
" -14X	"	Front	—	—
" -15X	R8031-P,-Q	Front	—	—
" -16X	R8031-R	Front	—	—
313053-1X	7041	Rear	—	—
" -2X	"	Rear	—	—
" -3X	"	Fr. or Rear	3-1-4011	1350/1410
" -4X	"	Fr. or Rear	4-1-4691	1480
" -5X	"	Front	—	—
" -6X	"	Front	—	—
313083-1X	8031	Fr. or Rear	—	—
313084-1X	8341	Fr. or Rear	—	—

**INTERNAL LUBE P.T.O.
CUP and CONE STYLE
TABULATED BILLS OF MATERIAL**

Spicer®

T210-59

Tab No.	Lockout Sleeve		Shift Rod Assy.		Sleeve 1st Shift Fork	For Complete Assembly Reorder
	Part No.	Gear	1st & 2nd	P.T.O.		
313051-1X	—	—	—	—	—	313232-1X
" -2X	—	—	—	—	—	313232-2X
" -3X	—	—	—	—	—	313232-3X
" -4X	—	—	—	—	—	313232-4X
" -5X	203-5	O'D	—	—	—	313232-5X
" -6X	—	—	—	—	—	313232-6X
" -7X	60-203-14	O'D	—	—	—	313232-7X
313052-1X	—	—	—	—	—	313220-1X
" -2X	—	—	—	—	—	313220-2X
" -3X	—	—	—	—	—	313220-3X
" -4X	—	—	70-67-22-1X	—	—	313220-4X
" -5X	—	—	—	—	203-14	313220-5X
" -6X	—	—	—	—	203-14	313220-6X
" -7X	70-37-22	Reverse	—	—	203-14	313220-7X
" -8X	70-37-25	Net & High	—	—	—	313220-8X
" -9X	—	—	—	—	—	313220-9X
" -10X	—	—	—	70-67-25-1X	—	313220-10X
" -11X	—	—	—	—	203-14	313220-11X
" -12X	—	—	—	70-67-25-1X	203-14	313220-12X
" -13X	—	—	—	—	—	313220-13X
" -14X	—	—	—	—	—	313220-14X
" -15X	—	—	70-67-22-1X	—	—	313220-15X
" -16X	—	—	—	—	203-14	313220-16X
313053-1X	—	—	—	—	—	313219-1X
" -2X	—	—	—	—	—	313219-2X
" -3X	—	—	—	—	—	313219-3X
" -4X	—	—	—	—	—	313219-4X
" -5X	—	—	—	—	—	313219-5X
" -6X	—	—	—	—	—	313219-6X
313083-1X	—	—	—	—	—	313223-1X
313084-1X	—	—	—	—	—	313224-1X

**INTERNAL LUBE P.T.O.
CYLINDRICAL ROLLER STYLE
TABULATED BILLS OF MATERIAL**

Spicer®

T210-59

Tab No.	Used with Auxiliary	Location of Output Shaft	Companion Flange	
			Part No.	Series
313219-1X	7041	Rear	—	—
" -2X	"	Rear	—	—
" -3X	"	Frnt. or Rear	3-1-4011	1350/1410
" -4X	"	Frnt. or Rear	4-1-4691	1500
" -5X	"	Front	—	—
" -6X	"	Front	—	—
313220-1X	R8341	Rear	—	—
" -2X	"	Rear	—	—
" -3X	"	Frnt. or Rear	3-1-4011	1410
" -4X	R8031-P,-Q	Rear	—	—
" -5X	R8031-R	Rear	—	—
" -6X	"	Frnt. or Rear	3-1-4011	1350/1410
" -7X	"	Frnt. or Rear	—	—
" -8X	R8341	Frnt. or Rear	—	—
" -10X	"	Rear	—	—
" -11X	R8031-R	Rear	—	—
" -12X	"	Rear	—	—
" -13X	R8341	Front	—	—
" -14X	"	Rear	—	—
" -15X	R8031-P,-Q	Front	—	—
" -16X	R8031-R	Front	—	—
313223-1X	8031	Frnt. or Rear	—	—
313224-1X	8341	Frnt. or Rear	—	—
313232-1X	1241	Rear	—	—
" -2X	"	Rear	—	—
" -3X	"	Front	—	—
" -4X	"	Front	—	—
" -5X	"	Front	—	—
" -6X	"	Front	3-1-4011	1350/1410
" -7X	"	Rear	3-1-4011	1350/1410
313254-1X	1241	Rear	—	—
" -2X	"	Rear	—	—
" -3X	"	Front	—	—
" -4X	"	Front	—	—
" -5X	"	Front	—	—
" -6X	"	Front	3-1-4011	1410
" -7X	"	Rear	3-1-4011	1410

INTERNAL LUBE P.T.O. CYLINDRICAL ROLLER STYLE TABULATED BILLS OF MATERIAL

Spicer®

T210-59

Tab No.	Lockout Sleeve		Shift Rod Assy.		Sleeve 1st Shift Fork	For Complete Assembly Reorder
	Part No.	Gear	▲ 1st only • 1st & 2nd	P.T.O.		
313219-1X	—	—	—	98-67-4-1X	—	
" -2X	—	—	—	"	—	
" -3X	—	—	—	"	—	
" -4X	—	—	—	"	—	
" -5X	—	—	—	"	—	
" -6X	—	—	—	"	—	
313220-1X	—	—	• 311830X	98-67-4-1X	—	
" -2X	—	—	• "	"	—	
" -3X	—	—	• "	"	—	
" -4X	—	—	▲ 70-67-22-1X	"	—	
" -5X	—	—	▲ 311830X	"	203-14	
" -6X	—	—	▲ "	"	"	
" -7X	70-37-22	Reverse	▲ "	"	"	
" -8X	70-37-25	High & Net	▲ "	"	—	
" -10X	—	—	• "	70-67-25-1X	—	
" -11X	—	—	▲ "	98-67-4-1X	203-14	
" -12X	—	—	▲ "	70-67-25-1X	203-14	
" -13X	—	—	• "	98-67-4-1X	—	
" -14X	—	—	• "	"	—	
" -15X	—	—	▲ 70-67-22-1X	"	—	
" -16X	—	—	▲ 311830X	"	203-14	
313223-1X	—	—	▲ 311825X	311824X	—	
313224-1X	—	—	• 311830X	311824X	—	
313232-1X	—	—	• 98-67-2-1X	98-67-4-1X	—	
" -2X	—	—	• "	"	—	
" -3X	—	—	• "	"	—	
" -4X	—	—	• "	"	—	
" -5X	60-203-14	O'D	• "	"	—	
" -6X	—	—	• "	"	—	
" -7X	—	—	• "	"	—	
313254-1X	—	—	—	—	—	
" -2X	—	—	—	—	—	
" -3X	—	—	—	—	—	
" -4X	—	—	—	—	—	
" -5X	60-203-14	O'D	—	—	—	
" -6X	—	—	—	—	—	
" -7X	—	—	—	—	—	

TOP MOUNT POWER TAKE OFF SUPERSEDING LIST

T210-59

PART NO.	MODEL	USE	PART NO.	MODEL	USE
310541X	8341	310541-1X 313084-1X * 313224-1X	313035-2X	R8031-R	313052-5X * 313220-5X
310541-1X	8341	313084-1X * 313224-1X	313036-1X	1241	313051-1X * 313232-1X
310337-2X	8031	313083-1X * 313223-1X	313051-1X	1241	313232-1X
310991-1X	8031	313083-1X * 313223-1X	313051-2X	1241	313232-2X
311019X	8341	311019-1X 313084-1X * 313224-1X	313051-3X	1241	313232-3X
311019-1X	8341	313084-1X * 313224-1X	313051-4X	1241	313232-4X
311028X	7041	313053-1X * 313219-1X	313051-5X	1241	313232-5X
313028-2X	7041	313053-1X * 313219-1X	313051-6X	1241	313232-6X
311194X	7041	311194-1X 313053-1X * 313219-1X	313051-7X	1241	313232-7X
311194-1X	7041	313053-1X * 313219-1X	313052-1X	R8341	313220-1X
313023-1X	1241	313051-1X * 313232-1X	313052-2X	R8341	313220-2X
313032-1X	R8341	313052-1X * 313220-1X	313052-3X	R8341	313220-3X
313032-2X	R8341	313052-2X * 313220-2X	313052-4X	R8031-P,-Q	313220-4X
313032-3X	R8341	313052-3X 313220-3X	313052-5X	R8031-R	313220-5X
313033-1X	R8341	313052-1X * 313220-1X	313052-6X	R8031-R	313220-6X
313034-1X	R8031-P,-Q	313052-4X * 313220-4X	313052-7X	R8031-R	313220-7X
313034-2X	R8031-R	313052-5X * 313220-5X	313052-8X	R8341	313220-8X
313035-1X	R8031-P,-Q	313052-4X * 313220-4X	313052-9X	R8341	313220-8X 313052-3X * 313220-3X
			313052-10X	R8341	313220-10X
			313052-11X	R8031-R	313220-11X
			313052-12X	R8031-R	313220-12X
			313052-13X	R8341	313220-13X
			313052-14X	R8341	313220-14X
			313052-15X	R8031-P,-Q	313220-15X
			313052-16X	R8031-R	313220-16X
			313053-1X	7041	313219-1X
			313053-2X	7041	313219-2X
			313053-3X	7041	313219-3X
			313053-4X	7041	313219-4X
			313053-5X	7041	313219-5X
			313053-6X	7041	313219-6X
			313083-1X	8031	313223-1X
			313084-1X	8341	313224-1X
			313221-1X	1241	313254-1X
			313221-2X	1241	313254-2X
			313221-3X	1241	313254-3X
			313221-4X	1241	313254-4X
			313221-5X	1241	313254-5X
			313221-6X	1241	313254-6X

*Most Current Replacing Part Number

COMPANION FLANGES and FLANGE YOKES

Spicer®

Joint Series	Flange Diameter	Companion Flange Sub-Assembly	Consists of		End of Hub to Flange Face Length	Pilot Diameter F-Female M-Male	Used with	
			Companion Flange	Flinger			Flange Yoke	Flange Yoke 1650 Series
Output End of Shaft 1.377" Ten Spline								
1350-1410	4 5/8"	—	3-1-4011	—	2 7/16"	F-2 3/4"	3-2-159	—
1480	5 5/8"	—	4-1-4691	—	2 5/8"	F-3 3/4"	4-2-669	—

END YOKES

Joint Series	End Yoke Sub-Assembly	Consists of		End of Hub to Center Line Length	Joint Angle
		Yoke	Flinger		
Output End of Shaft 1.377" Ten Spline					
1260-1310	—	2-4-1731	—	3 7/16"	18°
1350	—	3-4-3291	—	3 11/16"	22 1/2°

IDENTIFICATION

The Name Plate (NP-96) affixed to the TOP of the case is stamped with information:

SERIAL
 B/M No. MODEL

In requesting more information on these furnish the B/M No. and the Serial Number.
 Abbreviations used in this parts list include:
 N.S. - Not Shown
 N.S.S. - Not Sold Separately
 N.R. - Not Required

Ref. No.	Part No.	Part Name	For Assembly No.	313051X	313052X	313053X	313083X	313084X	
CUP and CONE STYLE									
	312476-12X	Bearing Kit-7041, 8031, R8031, 8341, R8341 Auxiliaries		—	1	1	1	1	
W-8	550448	Cone - output shaft bearing		—	2	2	2	2	
W-9	550449	Cup - output shaft bearing		—	2	2	2	2	
U-2	550903	Bearing - intermediate shaft front		—	1	1	1	1	
U-7	550261	Bearing - intermediate shaft rear		—	1	1	1	1	
V-5	550446	Cone - reverse shaft bearing		—	2	2	2	2	
V-6	550447	Cup - reverse shaft bearing		—	2	2	2	2	
	312476-18X	Bearing Kit — 1241 Auxiliary		2	—	—	—	—	
W-8	550448	Cone - output shaft bearing		2	—	—	—	—	
W-9	550449	Cup - output shaft bearing		2	—	—	—	—	
U-4	550912	Cone - intermediate shaft front bearing		1	—	—	—	—	
U-5	550913	Cup - intermediate shaft front bearing		1	—	—	—	—	
U-10	550228	Cup - intermediate shaft rear bearing		1	—	—	—	—	
U-11	550183	Cone - intermediate shaft rear bearing		1	—	—	—	—	
V-5	550446	Cone - reverse shaft bearing		2	—	—	—	—	
V-6	550447	Cup - reverse shaft bearing		2	—	—	—	—	
Ref. No.	Part No.	Part Name	For Assembly No.	313232X	313254X	313220X	313219X	313223X	313224X
CYLINDRICAL ROLLER STYLE									
	312476-21X	Bearing Kit-7041, 8031, R8031, 8341, R8341 Auxiliary		—	—	1	1	1	1
W-10	550940	Cylindrical - output shaft bearing		—	—	2	2	2	2
U-2	550903	Bearing - intermediate shaft front		—	—	1	1	1	1
U-7	550261	Bearing - intermediate shaft rear		—	—	1	1	1	1
V-7	550941	Cylindrical - reverse shaft bearing		—	—	2	2	2	2
	312476-22X	Bearing Kit — 1241 Auxiliary		1	1	—	—	—	—
W-10	550940	Cylindrical - output shaft		2	2	—	—	—	—
U-4	550912	Cone - intermediate shaft front bearing		1	1	—	—	—	—
U-5	550913	Cup - intermediate shaft front bearing		1	1	—	—	—	—
U-10	550228	Cup - intermediate shaft rear bearing		1	1	—	—	—	—
U-11	550183	Cone - intermediate shaft rear bearing		1	1	—	—	—	—
V-7	550941	Cylindrical - reverse shaft bearing		2	2	—	—	—	—



14700 Helm Court
Plymouth, MI 48170
(800) 401-9866 or (734) 456-3770
Fax: (734) 456-3739
www.ttcautomotive.com

